

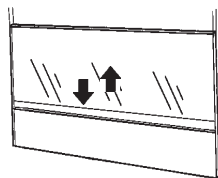
# UniFlow SE Laboratory Fume Hoods (Series 45)

High Efficiency, Full Duty Fume Hood in 48", 60", 72" and 96" widths



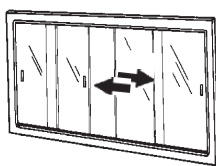
UniFlow SE Laboratory Fume Hood #45611 shown with optional service fixtures, plumbing & electrical, airflow monitor, worksurface, base cabinet and accessories. HEMCO recommends all fume hoods be equipped with an airflow monitor

## SASH OPTIONS



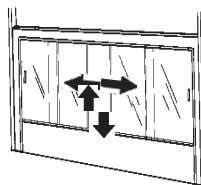
### VERTICAL MOVING SASH

The standard sash for HEMCO fume hoods. The sash may be lifted to the completely open position for maximum access to the fume chamber. Sash stops available. See page 5.



### HORIZONTAL MOVING SASH

The maximum sash opening for the horizontal sash is 1/2 to 2/3 that of the vertical sash. The opening is smaller, less air is exhausted resulting in energy savings. See page 5.



### COMBINATION MOVING SASH

Offers the advantages of both sash types. Horizontal openings offer energy savings while vertical option allows full access to the fume chamber. See page 5.

UniFlow SE Fume Hood is designed for high efficiency, energy savings and maximum user protection. The aerodynamic face opening with airfoil provides uniform airflow through the fume chamber. A constant volume low flow hood with VaraFlow baffle system efficiently directs the airflow through the fume chamber to the bell shaped exhaust outlet with minimum turbulence and maximum user protection.

## UniFlow SE Laboratory Hood Features

### UniFlow Superstructure

Exclusive unitized composite construction for superior chemical resistance, strength, and durability.

### Extended Viewing Height

Full 36" height allows unobstructed vision into fume chamber

### Fume Chamber

Molded one piece with all corners coved. Surface is glass smooth for ease of cleaning and excellent light reflectivity.

### Ergonomic Sash Lift

Contoured for efficient airflow and ease of movement

### Aerodynamic Airfoil

Ergonomic aerodynamic design allows air to sweep across the worksurface and maintain uniform airflow.

### VaraFlow Baffle System

Maintains uniform airflow through fume chamber.

### Angled Picture Frame Opening

Efficient air entry into fume chamber.

## COMPLETE YOUR FUME HOOD INSTALLATION

Refer to HEMCO's PLAN-A-HOOD on page 26 to assist in the planning of your UNIFLOW Fume Hoods.

### OPTIONAL ACCESSORIES

#### Ventilation Systems

(Blowers, Filters and Scrubbers)  
see pages 34-39

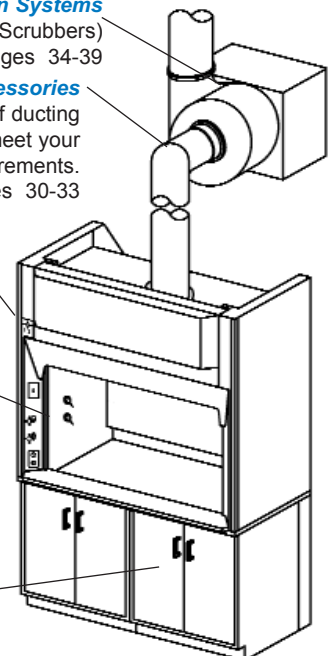
#### Ducting and Ducting Accessories

HEMCO offers a full line of ducting accessories to meet your specific requirements.  
see pages 30-33

**Airflow Monitors and Sash Stop**  
see page 5

**Plumbing and Electrical Services**  
Factory installed according to your exact specifications  
see pages 27-28

**Base Cabinets and Worksurfaces**  
see pages 24-25



# UNIFLOW SE Laboratory Fume Hoods (Series 45)

SPECIFICATIONS	FUME HOOD WIDTH			
	48"	60"	72"	96"
<b>1. UniFlow Bypass Fume Hood with Vapor-Proof Light</b> Superstructure to be unitized corrosion and fire resistant, non-metallic composite fiberglass construction, one piece fume chamber liner to have white glass smooth molded-in finish and all covered corners. Adjustable VaraFlow baffle system and bell shaped exhaust collar. Picture frame sash opening with counter balanced clear tempered safety glass sash with chemical resistant PVC framing, track and aerodynamic sash lift. Vapor-proof light fixture and switch prewired to single point junction box, 115 volt, 60Hz, AC. All electrical components UL listed. Remote exhaust blower see pages 34-35.	Cat. No. 45411	Cat. No. 45511	Cat. No. 45611	Cat. No. 45811
<b>2. UniFlow Bypass Fume Hood with Vapor-Proof Light and Built-In Exhaust Blower</b> Same as #1 above except equipped with built-in corrosion resistant, vertical discharge, direct drive exhaust motor/blower, 115 volt, 60Hz, AC with control switches prewired to single point junction box. All electrical components UL listed. Maximum duct run of 20'. Ducting options see pages 32-33.	Cat. No. 45412	Cat. No. 45512	Cat. No. 45612	Cat. No. 45812
<b>3. UniFlow Bypass Fume Hood with Explosion-Proof Light</b> Same as #1 above except equipped with explosion-proof, vapor-proof light fixture, Class I, Group C & D, Class II, Group E, F & G, 115 volt, 60Hz AC, UL Listed. Installed but not wired, must be wired to comply with local codes. For explosion-proof electrical options see page 29, explosion-proof exhaust blower see pages 34-35, fire extinguisher see page 28.	Cat. No. 45413	Cat. No. 45513	Cat. No. 45613	Cat. No. 45813
<b>4. UniFlow Bypass Fume Hood with Explosion-Proof Light and built-in Explosion-Proof Exhaust Blower</b> Same as #3 above except equipped with built-in corrosion resistant, non sparking, explosion-proof motor/blower exhaust system, Class I, Group C & D, Class II, Group E, F & G, 115, volt 60Hz, AC. Explosion-proof exhaust blower and light are installed but not wired, must be wired to comply with local codes. Maximum duct run of 20'. For explosion-proof electrical options see page 29, fire extinguisher see page 28.	Cat. No. 45414	Cat. No. 45514	Cat. No. 45614	Cat. No. 45814
<b>5. Horizontal Sliding Sash Option</b> - Add suffix to catalog number.	45HS-4	45HS-5	45HS-6	45HS-8
<b>6. Combination Sliding Sash Option</b> - Add suffix to catalog number.	45CS-4	45CS-5	45CS-6	45CS-8

## UNIFLOW SE FUME HOODS

FUME HOOD SIZES				
A	48"	60"	72"	96"
B	38"	50"	61"	85"
C	14"	20"	15"	—
D	10"	10"	12"	(2)10"

EXHAUST AIR VOLUME REQUIRED FOR 100 FPM WITH SASH FULLY OPEN				
48"	60"	72"	96"	
773 CFM	938 CFM	1162 CFM	1613 CFM	
100 FPM WITH SASH 50% OPEN				
385 CFM	474 CFM	592 CFM	800 CFM	

### AIRFLOW MONITOR Cat. No. 51406

Continuously monitors face velocity airflow of fume hood. Select and calibrate at desired FPM velocity set point. If the hood face velocity falls below the set point, an audible alarm sounds and a visual red indicator light appears. Airflow alarm is factory installed or can be field installed. 115 volt 60Hz



### SAFETY SASH STOP Cat. No. 51651

Factory installed to specified designated height. Also available for field installation.

