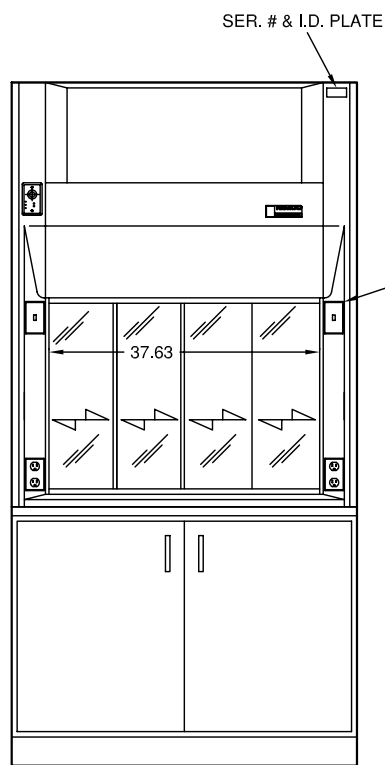
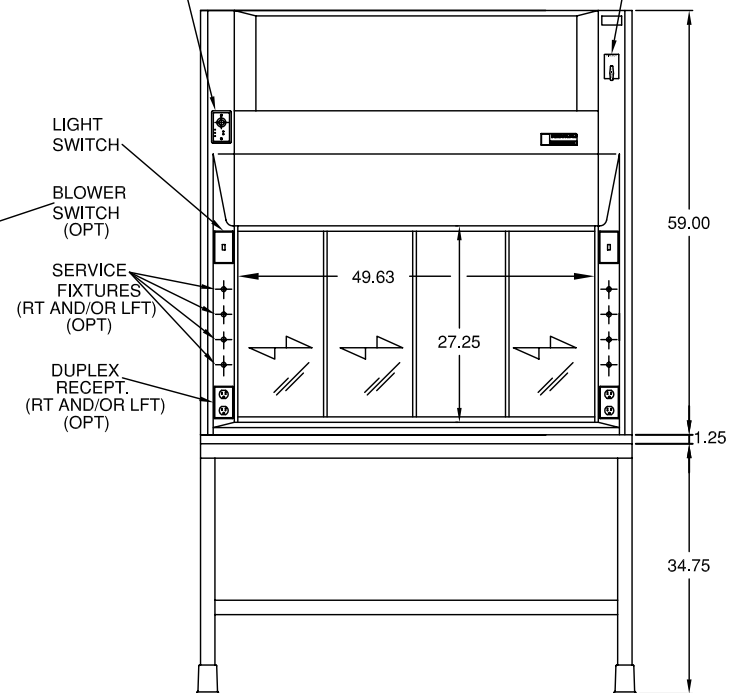


FIRE EXTINGUISHER (OPT)
HEAT ACTIVATED DISCHARGE
USCG AND FM APPROVED

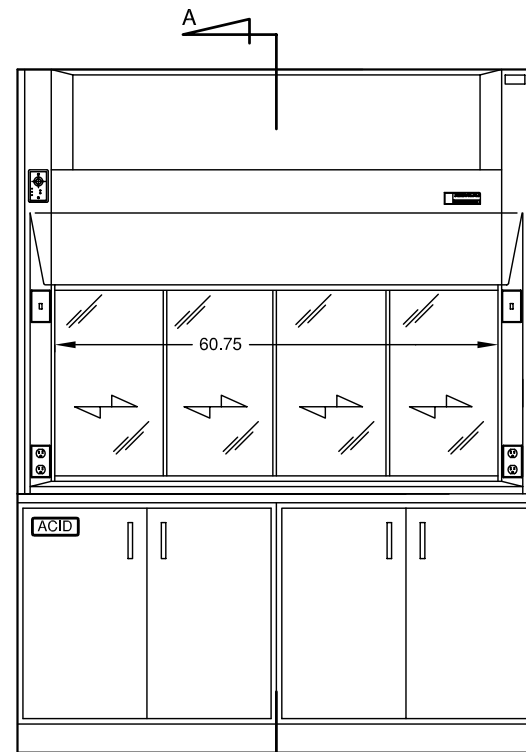
AIR FLOW
MONITOR(OPT)



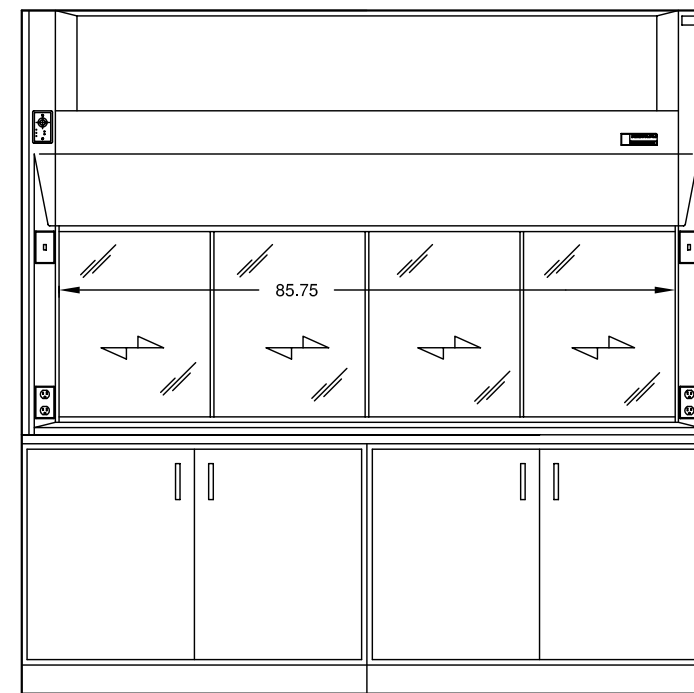
MODEL 12140
(WITH OPTIONAL BASE CABINET
AND WORKSURFACE)



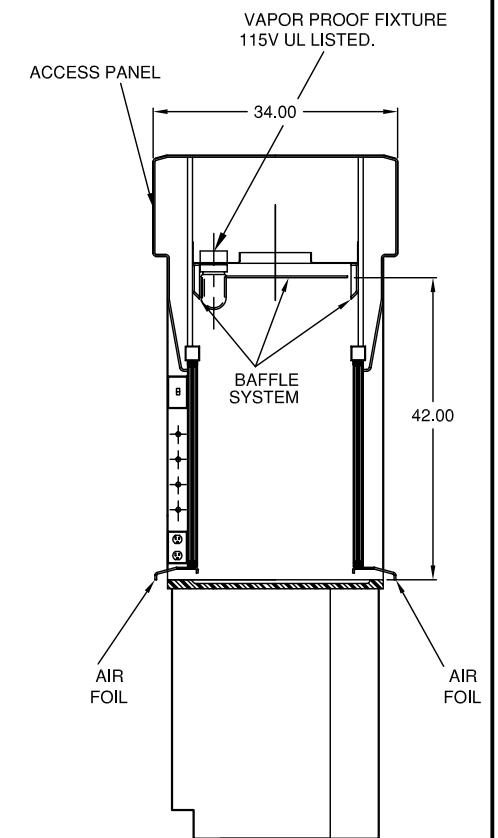
MODEL 12150
(WITH OPTIONAL TABLE
AND WORKSURFACE)



MODEL 12160
(WITH OPTIONAL ACID/BASE CABINETS
AND WORKSURFACE)



MODEL 12180
(WITH OPTIONAL BASE CABINETS
AND WORKSURFACE)



SECTION A-A

OPTIONAL EQUIPMENT AND SERVICES

1. PLUMBING SERVICE
2. ELECTRICAL SERVICES
3. EXHAUST SYSTEMS
4. FIRE EXTINGUISHER
5. AIR FLOW ALARM
6. VERTICAL RISING SASH
7. COMBINATION SASH

NOTE:
ALL ELECTRICAL COMPONENTS
UL AND CSA LISTED.

DUALFAM121X0-SV

UNIFLOW DUAL ENTRY FUME HOOD SERIES 01 VAPOR PROOF LIGHT				
SCALE:	APPROVED BY:	DATE:	REVISION:	DATE:
DRAWN BY: TLF	REP:	QUOTE No:	XXXX XXXX	XX/XX/XX
DATE: 09/08/03	PROJECT MGR:	DATE:		
HEMCO Corporation		© PLANS AND DRAWINGS ARE COPYRIGHTED	DWG. NO. M01-3290	
111 POWELL RD INDEPENDENCE, MO. 64056 PH:816-796-2900 FAX:816-796-3333		BY: _____ DATE: _____	SHEET. <u>1</u> OF <u>1</u>	