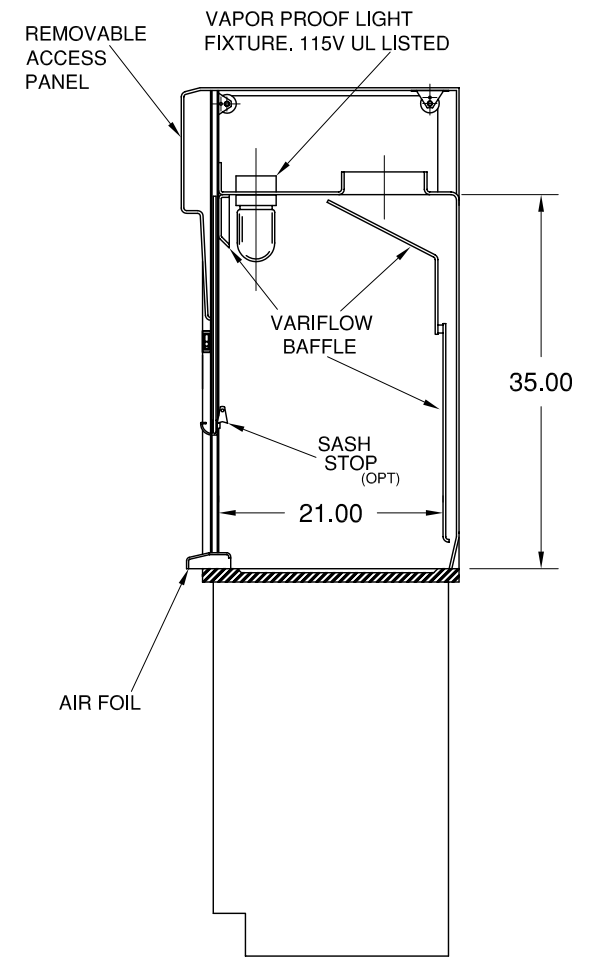
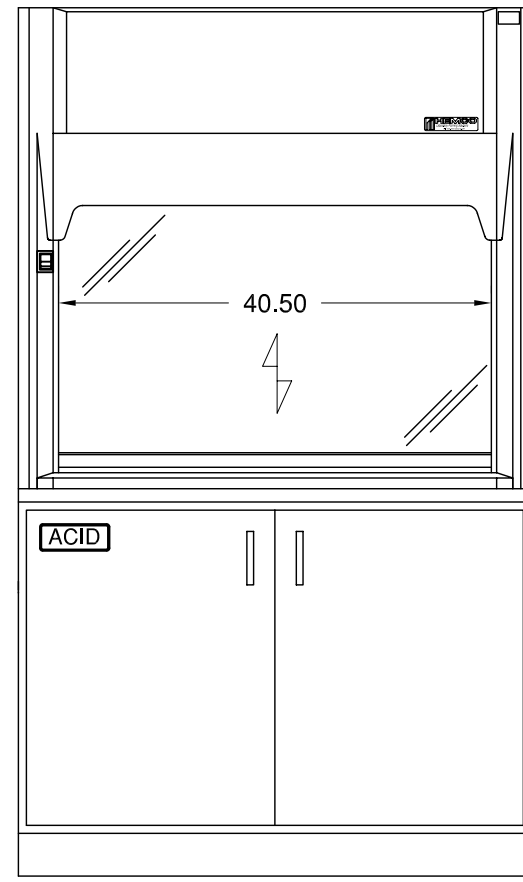
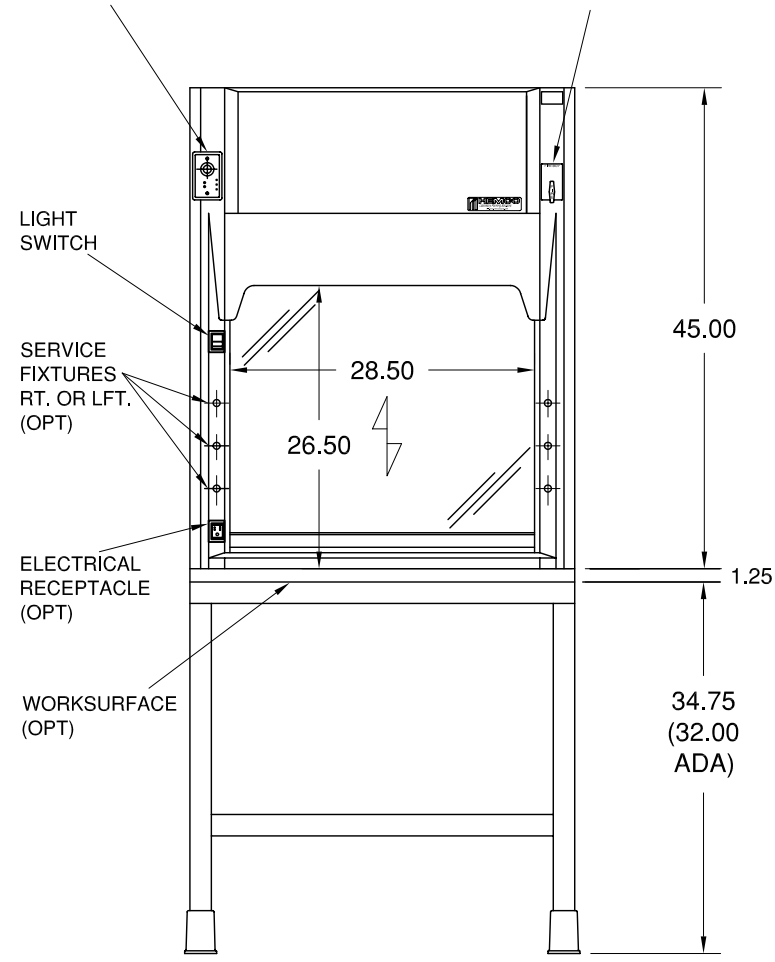
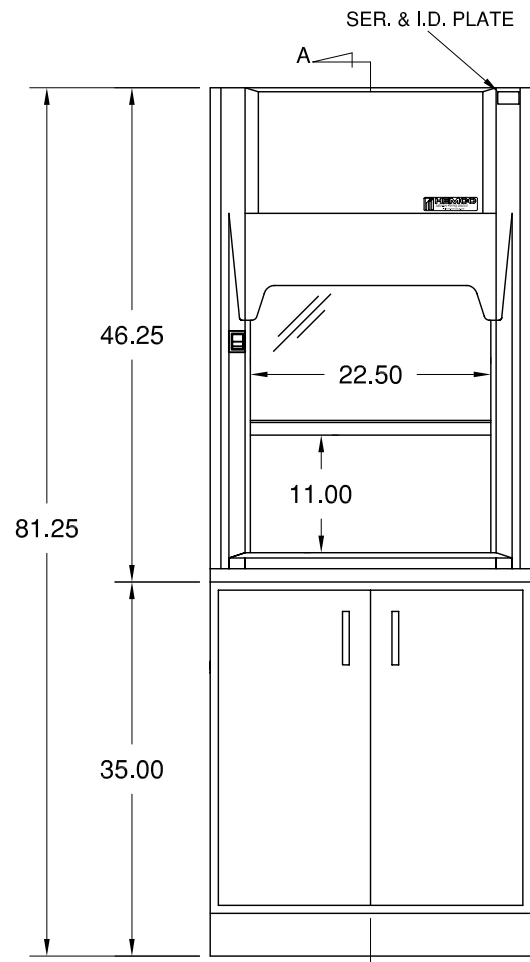


AIR FLOW MONITOR(OPT)

FIRE EXTINGUISHER HEAT-ACTIVATED DISCHARGE OR (OPT) MAN. DISCH. USC&G & FM APPROVED



CAT. NO. 13091

(WITH OPTIONAL BASE CABINET AND WORKSURFACE)

CAT. NO. 13691

(WITH OPTIONAL TABLE AND WORKSURFACE)

OPTIONAL EQUIPMENT AND SERVICES

1. PLUMBING SERVICE
2. ELECTRICAL SERVICES
3. EXHAUST SYSTEMS
4. FIRE EXTINGUISHER
5. AIR FLOW ALARM
6. HORIZONTAL SLIDING SASH

CAT. NO. 14891

(WITH OPTIONAL ACID CABINET AND WORKSURFACE)

NOTE:

ALL ELECTRICAL COMPONENTS ARE UL & CSA LISTED

SECTION A-A

COMPACTFAM15XX11

**UNIFLOW CE LABORATORY FUME HOOD SERIES 01 WITH VAPOR PROOF LIGHT**

SCALE: 1" = 16"	APPROVED BY:	DATE:	REVISION:	DATE:
DRAWN BY: DON	REP:	QUOTE No:	C- UPDATED TO CURRENT SPEC.	02/01/07
DATE: 8/19/03	PROJECT MGR:	DATE:	B- UPDATED TO CURRENT SPEC.	09/18/06
<b>HEMCO Corporation</b>			© PLANS AND DRAWINGS ARE COPYRIGHTED	
www.HEMCOcorp.com			BY <i>R. E. Hill</i>	
111 POWELL RD INDEPENDENCE, MO 64056			DATE 8/19/03	
PH:816-796-2900 FAX:816-796-3333			DWG. NO. M01-3253	
SHEET. 1 OF 1				