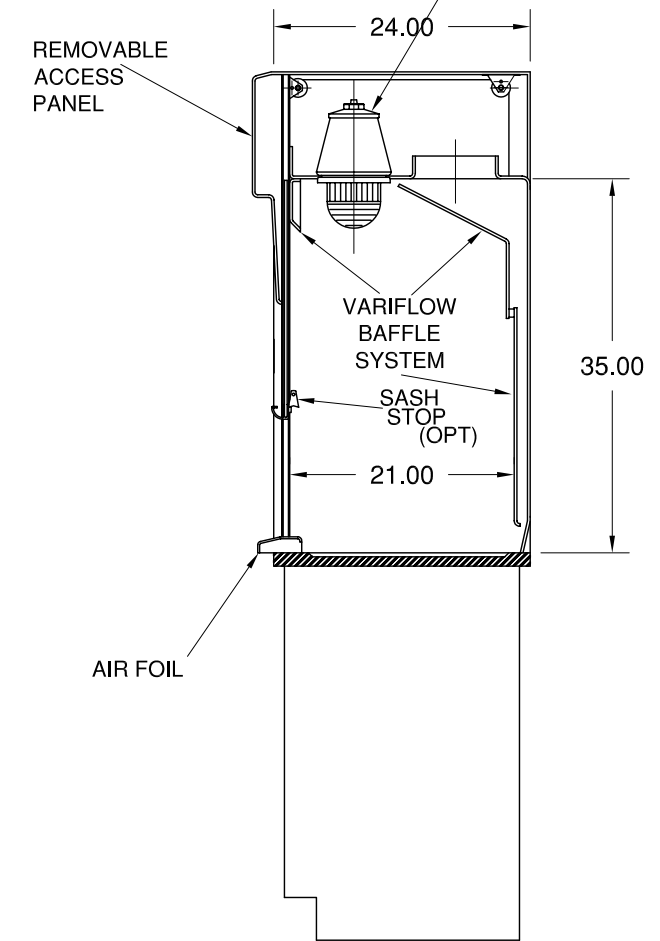
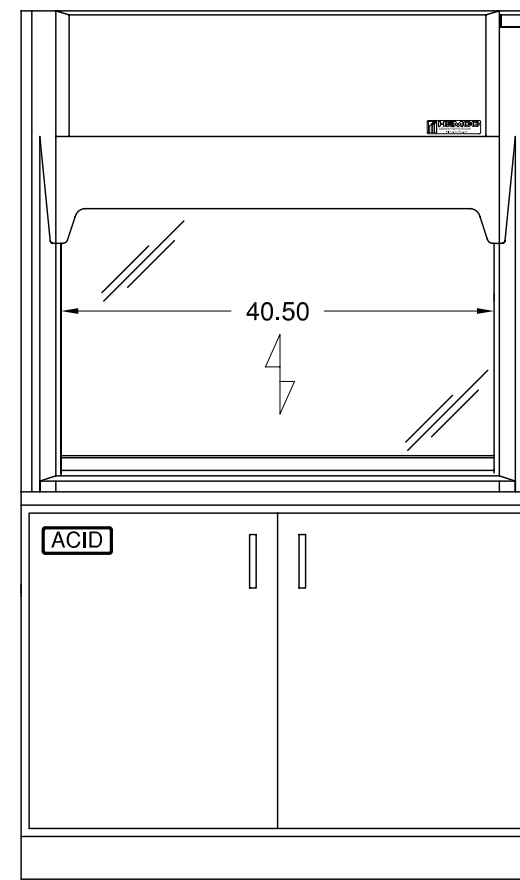
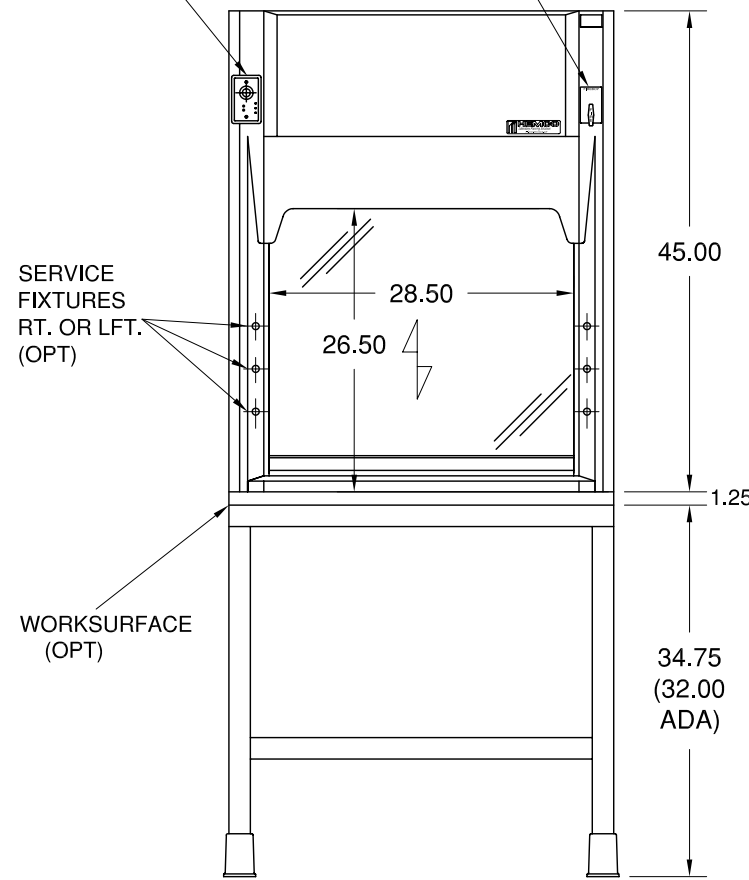
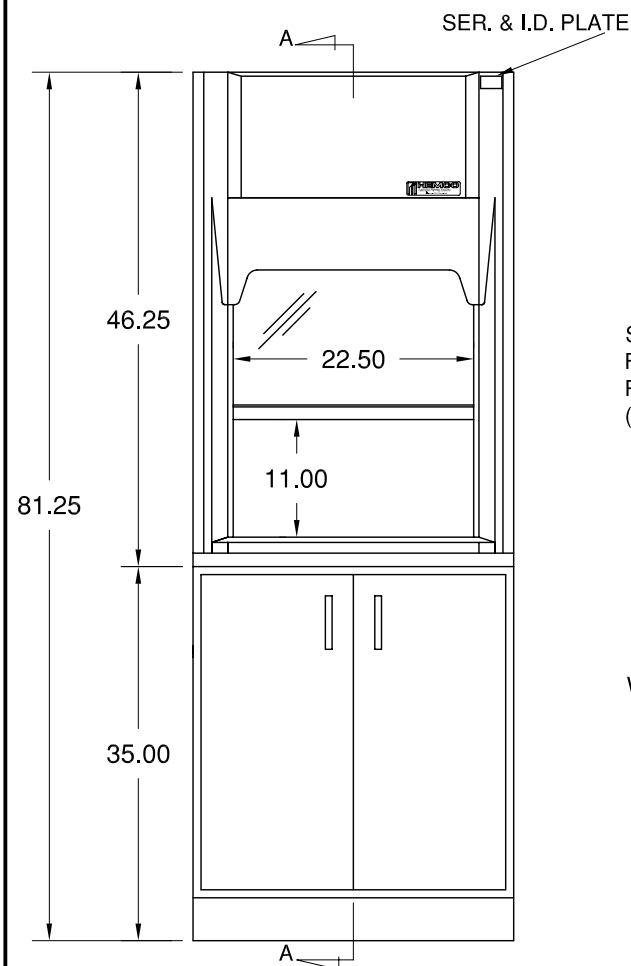


VAPOR PROOF, EXPLOSION PROOF
 FIXTURE 115 V, 300 W, UL LISTED
 CLASS I GROUPS C & D, CLASS II
 GROUPS E, F & G. OPT LIGHT SWITCH



SECTION A-A

COMPACTFAM15XX3

CAT. NO. 13093
 (WITH OPTIONAL BASE CABINET
 AND WORKSURFACE)

CAT. NO. 13693
 (WITH OPTIONAL WORKSURFACE
 AND TABLE)

OPTIONAL EQUIPMENT AND SERVICES

1. PLUMBING SERVICE
2. ELECTRICAL SERVICES
3. EXHAUST SYSTEMS
4. FIRE EXTINGUISHER
5. AIR FLOW ALARM
6. HORIZONTAL SLIDING SASH

CAT. NO. 14893
 (WITH OPTIONAL WORKSURFACE
 AND ACID CABINET)

NOTE:
 ALL ELECTRICAL COMPONENTS
 ARE UL & CSA LISTED

**UNIFLOW CE LABORATORY FUME HOOD SERIES 03
 WITH EXP. PROOF LIGHT**

SCALE: 1" = 6"	APPROVED BY:	DATE:	REVISION:	DATE:
DRAWN BY: DON	REP:	QUOTE No:	C-UPDATED TO CURRENT SPEC.	02/01/07
DATE: 8/19/03	PROJECT MGR:	DATE:	UPDATED TO CURRENT SPEC.	09/18/06
HEMCO Corporation <small>www.HEMCOcorp.com</small> 111 POWELL RD INDEPENDENCE, MO 64056 PH:816-796-2900 FAX:816-796-3333			© PLANS AND DRAWINGS ARE COPYRIGHTED BY <i>R. E. Hill</i> DATE 08/19/03	
DWG. NO. M01-3260			SHEET. 1 OF 1	