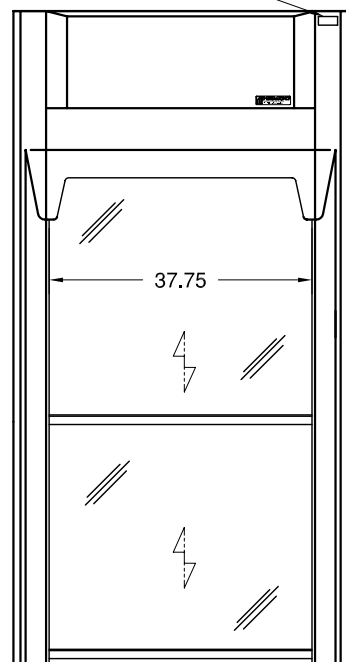


SER. # & I.D. PLATE

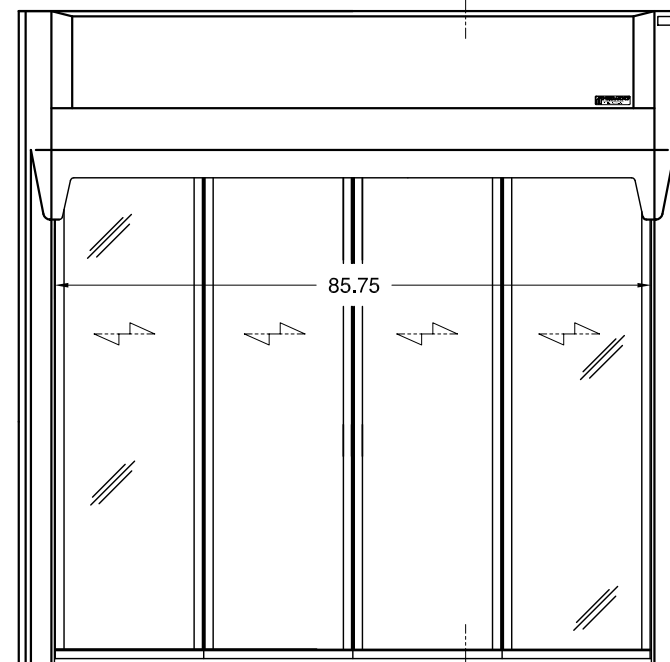
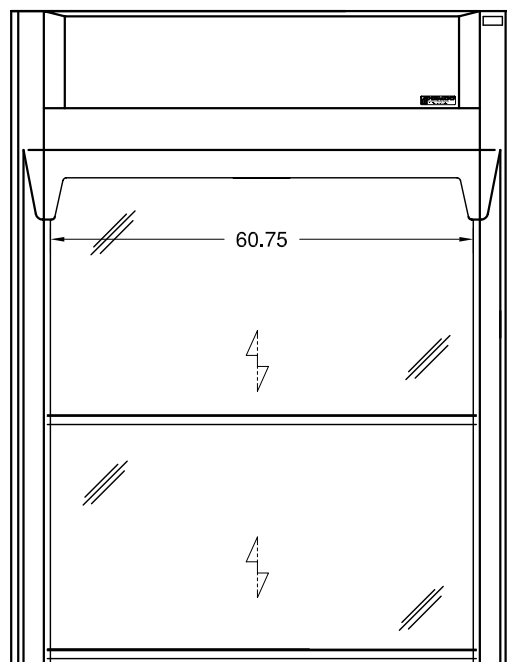
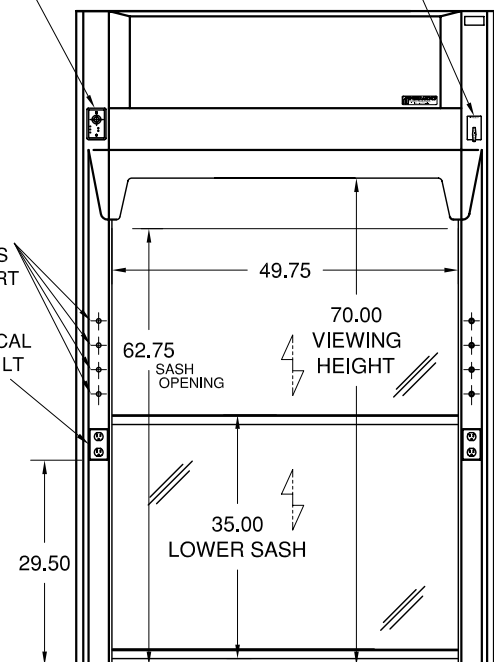
AIR FLOW MONITOR(OPT)

FIRE EXTINGUISHER HEATY ACTIVATED DISCHARGE USCG & FM APPROVED. (OPT)



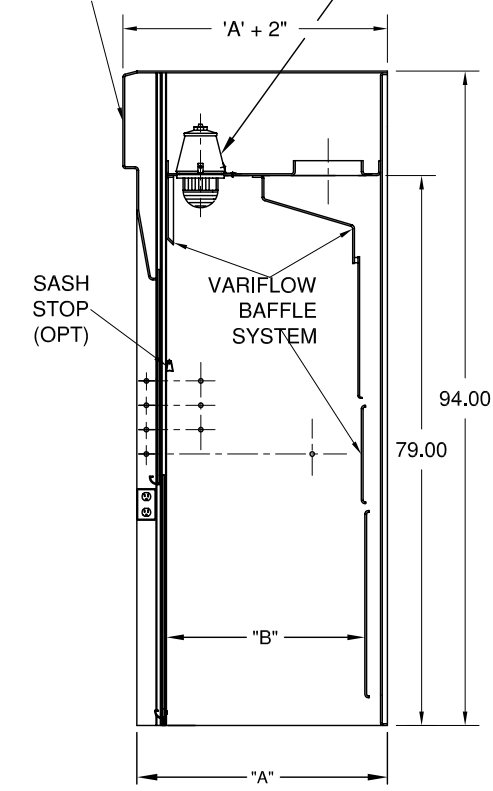
SERVICE FIXTURES LT &/OR RT (OPT.)

ELECTRICAL RECEPT. LT &/OR RT (OPT)



EXPLOSION PROOF FIXTURE 115 V, 300 W, UL LISTED CLASS I GROUPS C & D, CLASS II GROUPS E,F & G

ACCESS PANEL



SECTION A-A

A- EXTERIOR DEPTH	B- INTERIOR DEPTH
30	23
36	29
48	41

CAT. NO. 11041(30" DP)
 CAT. NO. 11044 (36" DP)
 CAT. NO. 11045 (48" DP)

CAT. NO. 11051 (30" DP)
 CAT. NO. 11054 (36" DP)
 CAT. NO. 11055(48" DP)

CAT. NO. 11061 (30" DP)
 CAT. NO. 11064 (36" DP)
 CAT. NO. 11065 (48" DP)

CAT. NO. 11071 (30" DP)
 CAT. NO. 11074 (36" DP)
 CAT. NO. 11075 (48" DP)

- ALL OPTIONS AVAILABLE
- OPTIONAL EQUIPMENT
1. WORK SURFACES
 2. PLUMBING SERVICE
 3. ELECTRICAL SERVICES
 4. EXHAUST SYSTEMS
 5. FIRE EXTINGUISHER
 6. AIR FLOW MONITOR

VERTICAL RISING SASHES SHOWN
OPTIONAL HORIZONTAL MOVING SASHES
ON 72" AND 96" CAT. NO.S

NOTE:
 ALL ELECTRICAL COMPONENTS
 ARE UL AND CSA LISTED.

WALKINFAM110X1

**UNIFLOW, FM (WALK-IIN FUME HOOD
 WITH EXP. PROOF LIGHT**

SCALE: 1" = 20"	APPROVED BY:	DATE:	REVISION:	DATE:
DRAWN BY: TLF	REP:	QUOTE No:	A- UPDATED & REDRAWN	02/07/07
DATE: 9/24/03	PROJECT MGR:	DATE:		
HEMCO Corporation www.HEMCOcorp.com 111 POWELL RD INDEPENDENCE, MO 64056 PH:816-796-2900		© PLANS AND DRAWINGS ARE COPYRIGHTED BY <i>R. E. Hill</i> DATE 09/24/03	DWG. NO. M01-3335	SHEET. 1 OF 1