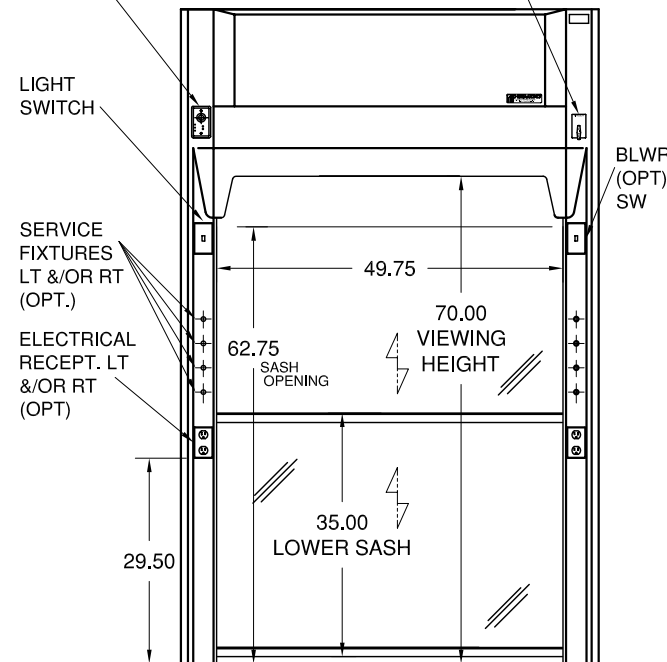
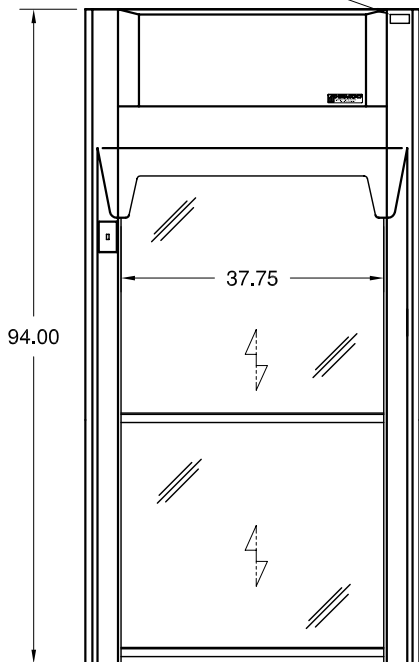


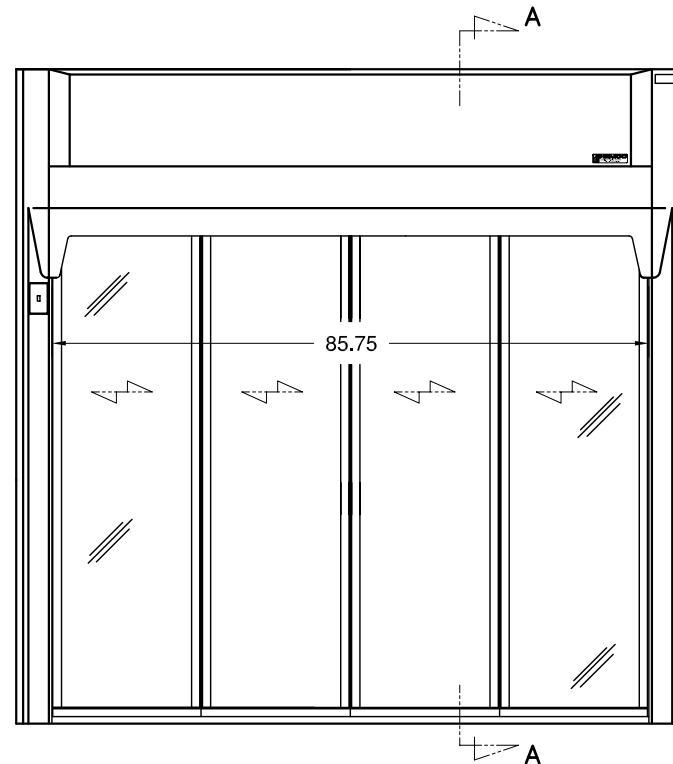
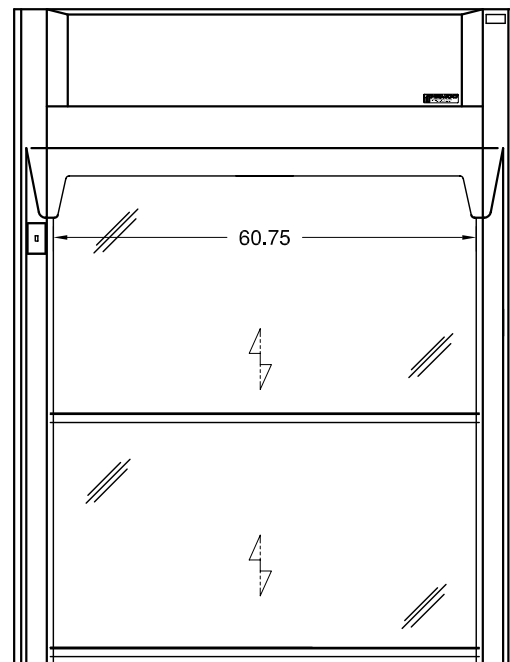
SER. # & I.D. PLATE

AIR FLOW MONITOR (OPT)

FIRE EXTINGUISHER HEATY ACTIVATED DISCHARGE USCG & FM APPROVED. (OPT.)



BLWR (OPT) SW

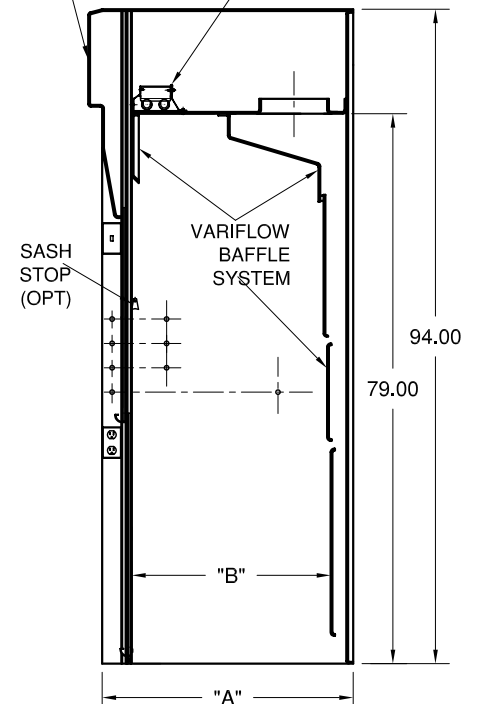


FLOURESCENT VAPOR PROOF FIXTURE. 115V UL LISTED

ACCESS PANEL

SASH STOP (OPT)

VARIFLOW BAFFLE SYSTEM



SECTION A-A

A- EXTERIOR DEPTH	B- INTERIOR DEPTH
30	23
36	29
48	41

CAT. NO. 11048 (30" DP)  
 CAT. NO. 11042 (36" DP)  
 CAT. NO. 11043 (48" DP)

CAT. NO. 11050 (30" DP)  
 CAT. NO. 11052 (36" DP)  
 CAT. NO. 11053 (48" DP)  
 ALL OPTIONS AVAILABLE

CAT. NO. 11060 (30" DP)  
 CAT. NO. 11062 (36" DP)  
 CAT. NO. 11063 (48" DP)

CAT. NO. 11070 (30" DP)  
 CAT. NO. 11072 (36" DP)  
 CAT. NO. 11073 (48" DP)

VERTICAL RISING SASHES SHOWN  
 OPTIONAL HORIZONTAL MOVING SASHES  
 ON 72" AND 96" CAT. NO.S

OPTIONAL EQUIPMENT

1. WORK SURFACES
2. PLUMBING SERVICE
3. ELECTRICAL SERVICES
4. EXHAUST SYSTEMS
5. FIRE EXTINGUISHER
6. AIR FLOW MONITOR

NOTE:

ALL ELECTRICAL COMPONENTS  
 ARE UL AND CSA LISTED

WALKINFAM110X8-SV

**UNIFLOW, FM (WALK-IIN FUME HOOD  
 WITH VAPOR PROOF LIGHT**

SCALE: 1" = 20"	APPROVED BY:	DATE:	REVISION:	DATE:
DRAWN BY: TLF	REP:	QUOTE No:	A- UPDATED & REDRAWN	02/07/07
DATE: 9/24/03	PROJECT MGR:	DATE:		
<b>HEMCO Corporation</b> www.HEMCOcorp.com 111 POWELL RD INDEPENDENCE, MO 64056 PH:816-796-2900 FAX:816-796-3333			© PLANS AND DRAWINGS ARE COPYRIGHTED BY <i>R. E. Hill</i> DATE 09/24/03	DWG. NO. M01-3327 SHEET. 1 OF 1