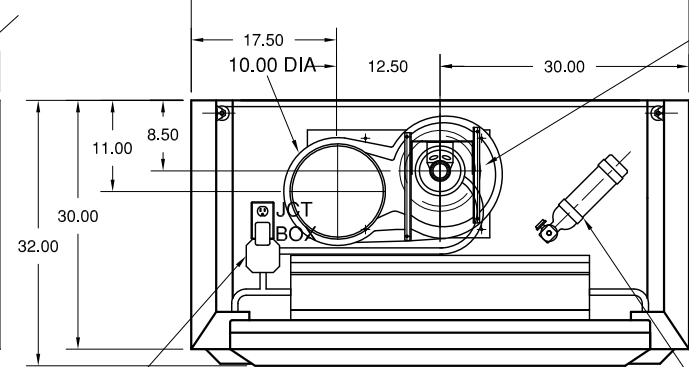
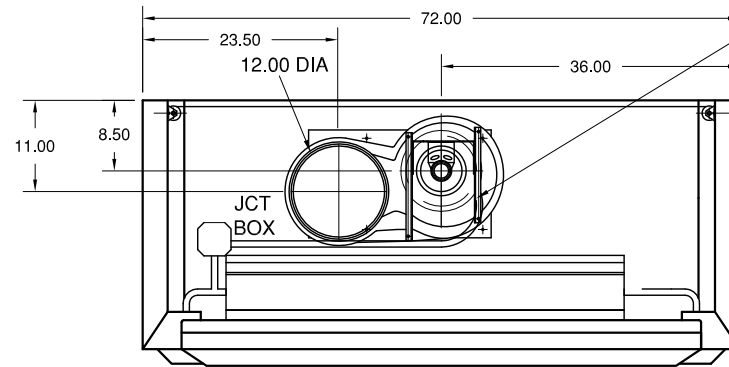


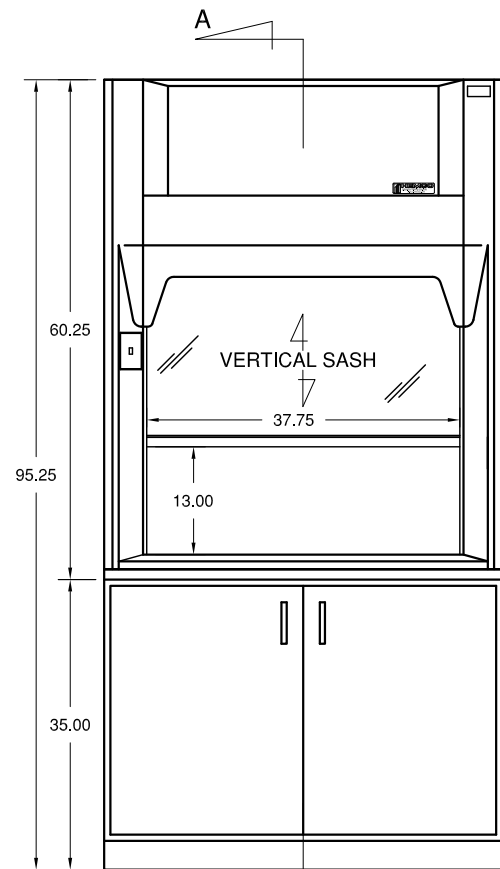
BLOWER MOTOR ASSY 115V,  
FLA 6.3, 1/3 HP  
8.00D X 4.00 POLY WHEEL  
CW ROTATION



BLOWER MOTOR ASSY 115V,  
FLA 7, 1/2 HP 8.00D X 4.00  
POLY WHEEL  
CW ROTATION



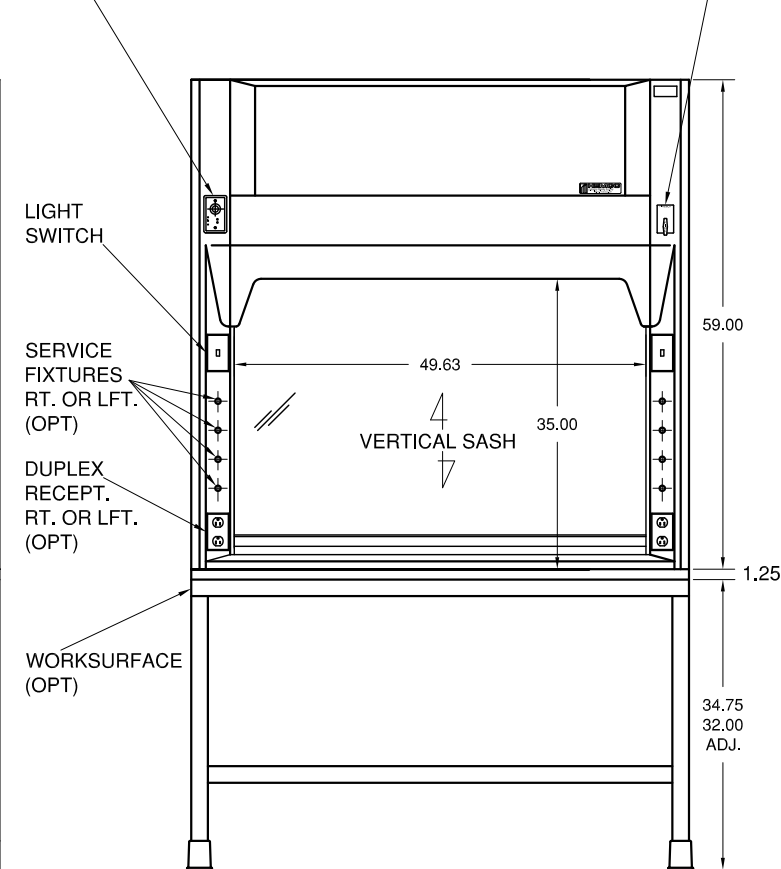
BLOWER MOTOR ASSY 115V,  
FLA 7.0, 1/2 HP  
8.50D X 4.50 POLY WHEEL  
CW ROTATION



**CAT. NO. 45412**  
(WITH OPTIONAL BASE CABINET  
AND WORKSURFACE)

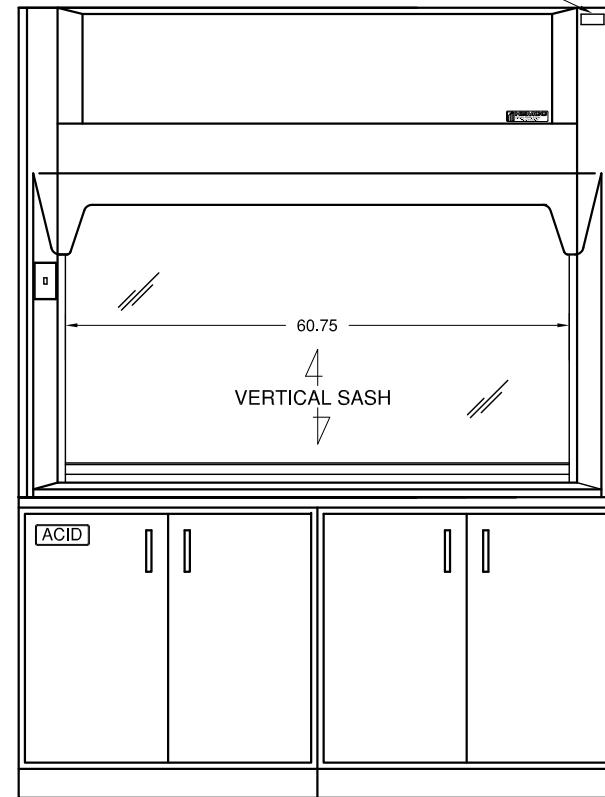
AIR FLOW  
MONITOR (OPT)

FIRE EXTINGUISHER HEAT  
ACTIVATED DISCHARGE USCG &  
FM APPROVED (OPT.)

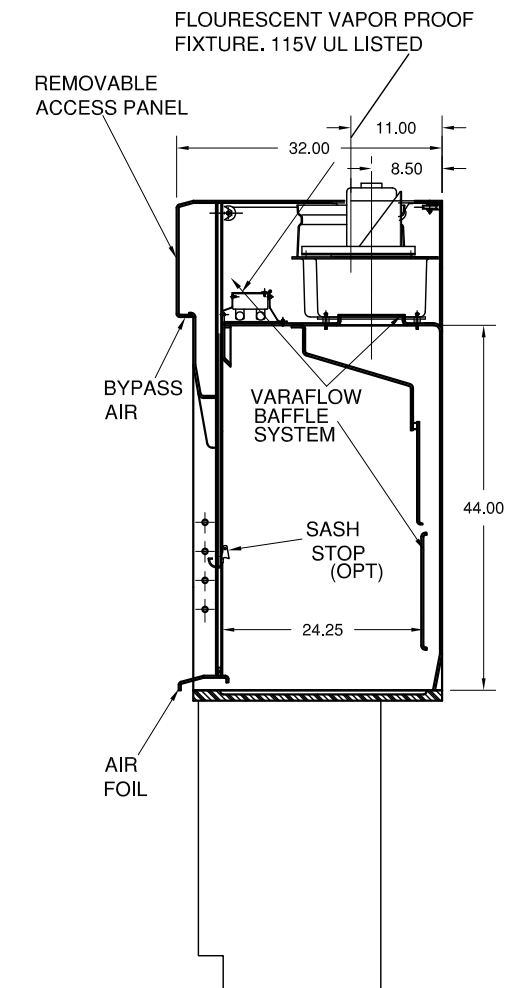


**CAT. NO. 45512**  
(WITH OPTIONAL TABLE AND  
WORKSURFACE)

SER. # AND I.D. PLATE



**CAT. NO. 45612**  
(WITH OPTIONAL ACID/BASE  
CABINETS AND  
WORKSURFACE)



**SECTION A-A**

**OPTIONAL EQUIPMENT AND SERVICES**

1. PLUMBING SERVICE
2. ELECTRICAL SERVICES
3. EXHAUST SYSTEMS
4. FIRE EXTINGUISHER
5. AIR FLOW ALARM
6. HORIZONTAL SLIDING SASH
7. COMBINATION SASH

**NOTE:**  
ALL ELECTRICAL COMPONENTS  
UL AND CSA LISTED

BYPASSFAM 45X12-SV

UNIFLOW SE LABORATORY FUME HOOD SERIES 45 WITH VAPOR PROOF LIGHT AND BLOWER				
SCALE: 1" = 24"	APPROVED BY:	DATE:	REVISION:	DATE:
DRAWN BY: DON	REP:	QUOTE No:		
DATE: 08/22/06	PROJECT MGR:	DATE:		
<b>HEMCO Corporation</b> www.HEMCOcorp.com 711 S. POWELL RD INDEPENDENCE, MO 64056 PH:816-796-2900 FAX:816-796-3333		© PLANS AND DRAWINGS ARE COPYRIGHTED	DWG. NO. M01-4100	BY _____ DATE _____
			SHEET. 1 OF 1	