

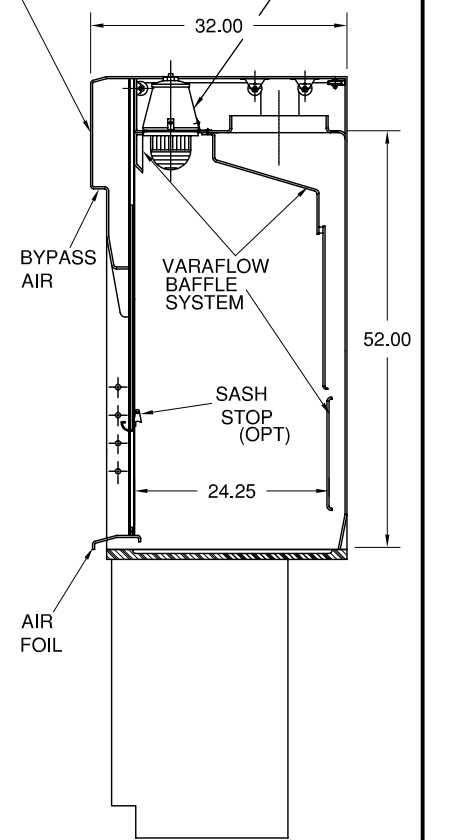
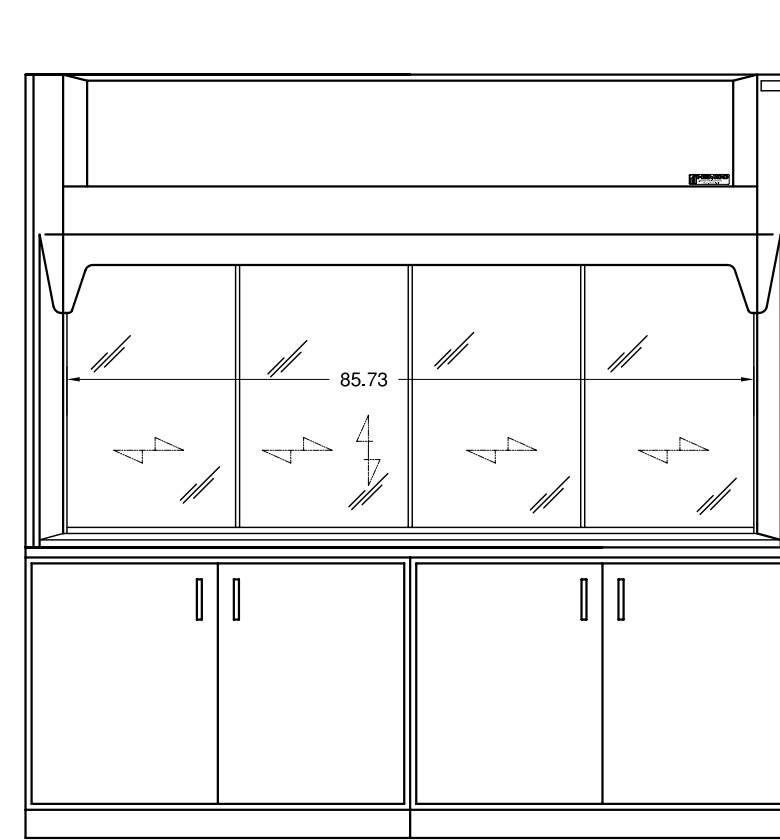
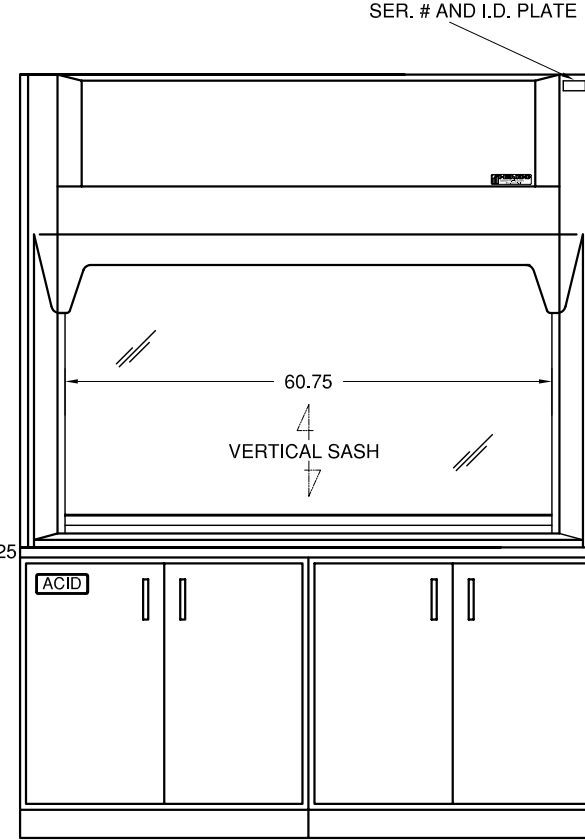
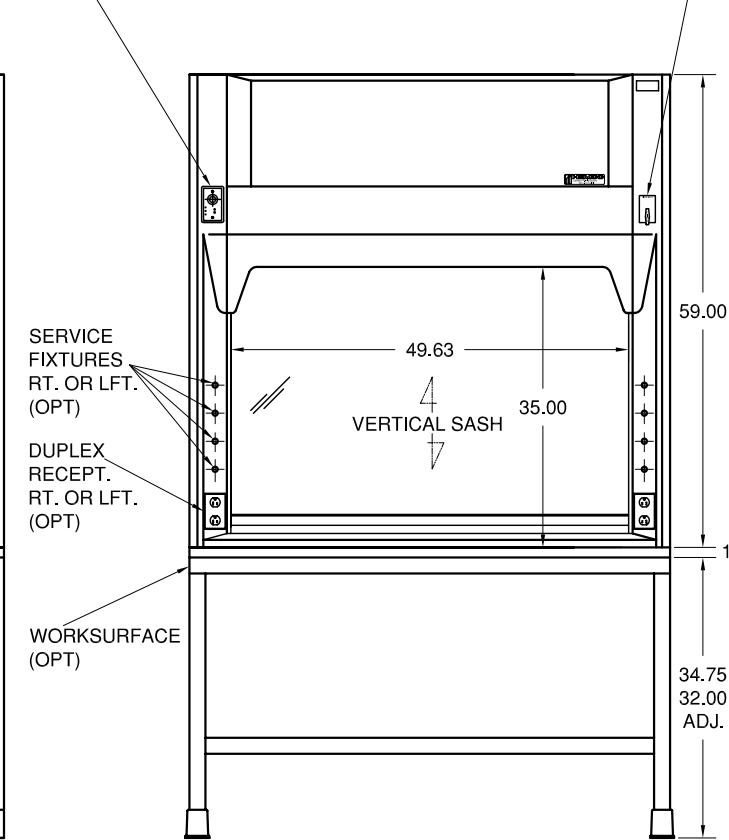
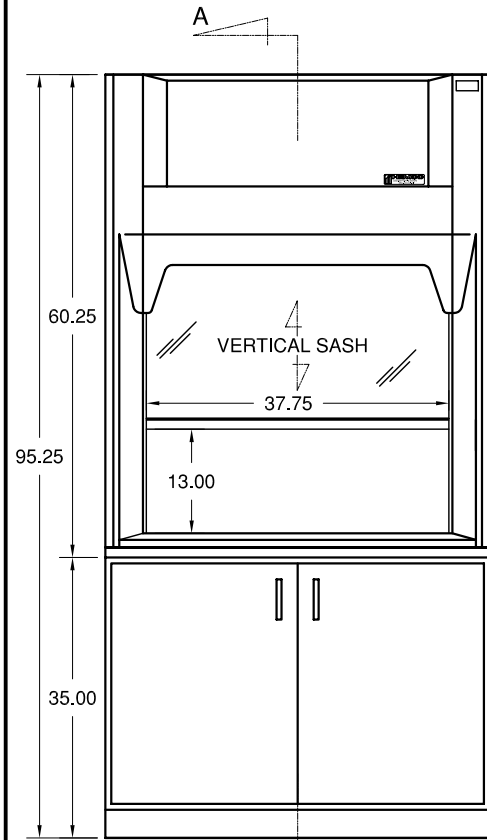
INCANDESCENT EXPLOSION PROOF
FIXTURE 115V, 300 W, UL LISTED
CLASS 1 GROUPS C & D, CLASS II
GROUPS E, F & G

AIR FLOW
MONITOR (OPT)

FIRE EXTINGUISHER HEAT
ACTIVATED DISCHARGE USCG &
FM APPROVED (OPT.)

SER. # AND I.D. PLATE

REMOVABLE
ACCESS PANEL



SERVICE
FIXTURES
RT. OR LFT.
(OPT)

DUPLEX
RECEPT.
RT. OR LFT.
(OPT)

WORKSURFACE
(OPT)

CAT. NO. 45413
(WITH OPTIONAL BASE CABINET
AND WORKSURFACE)

CAT. NO. 45513
(WITH OPTIONAL TABLE AND
WORKSURFACE)

CAT. NO. 45613
(WITH OPTIONAL ACID/BASE
CABINETS AND
WORKSURFACE)

CAT. NO. 45813
(WITH OPTIONAL HORIZONTAL
SLIDING SASH AND BASE
CABINETS AND
WORKSURFACE)

SECTION A-A

OPTIONAL EQUIPMENT AND SERVICES

1. PLUMBING SERVICE
2. EXP. ELECTRICAL SERVICES
3. EXHAUST SYSTEMS
4. FIRE EXTINGUISHER
5. AIR FLOW ALARM
6. HORIZONTAL SLIDING SASH
7. COMBINATION SASH

NOTE:
ALL ELECTRICAL COMPONENTS
UL AND CSA LISTED

BYPASSFAM 45X13-SV

UNIFLOW SE LABORATORY FUME HOOD SERIES 45 WITH EXP. PROOF LIGHT			
SCALE: 1" = 24"	APPROVED BY:	DATE:	REVISION:
DRAWN BY: DON	REP:	QUOTE No:	DATE:
DATE: 6/16/03	PROJECT MGR:	DATE:	
HEMCO Corporation www.HEMCOcorp.com 111 POWELL RD INDEPENDENCE, MO 64056 PH:816-796-2900		© PLANS AND DRAWINGS ARE COPYRIGHTED BY <i>R. E. Hill</i> DATE 06/16/03	DWG. NO. M01-3258 SHEET. 1 OF 1