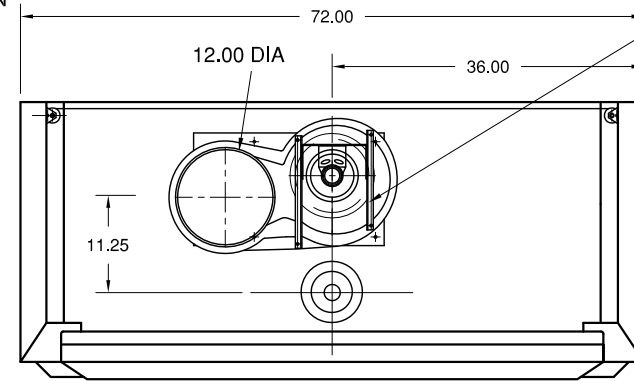
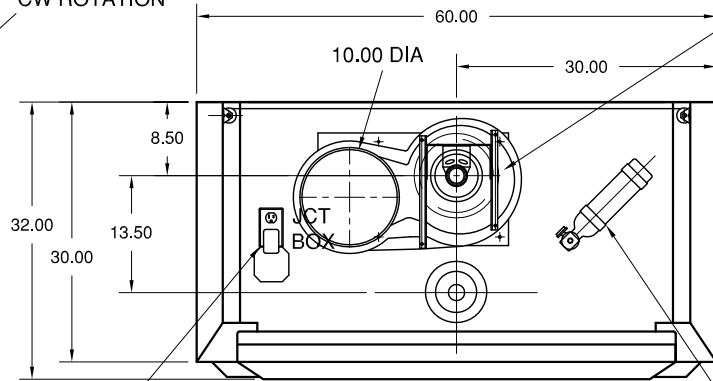
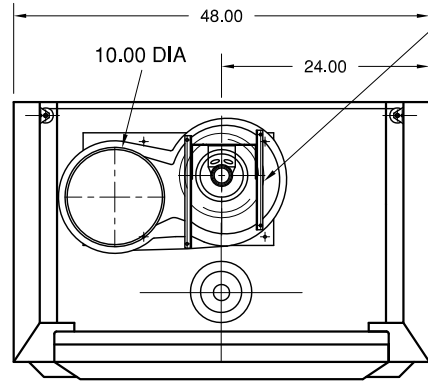


BLOWER/MOTOR ASSEM.  
W/NON-SPARKING BLOWER &  
EXPLOSION PROOF MOTOR.  
115V, FLA 6.3, 1/2 HP  
8.00D X 4.00 POLY WHEEL  
CW ROTATION

BLOWER/MOTOR ASSEM.  
W/NON-SPARKING BLOWER &  
EXPLOSION PROOF MOTOR.  
115V, FLA 7, 1/2 HP  
8.00D X 4.00 POLY WHEEL  
CW ROTATION

BLOWER/MOTOR ASSEM.  
W/NON-SPARKING BLOWER &  
EXPLOSION PROOF MOTOR.  
115V, FLA 7.0, 1/2 HP  
8.50D X 4.50 POLY WHEEL  
CW ROTATION



AIR FLOW  
MONITOR (OPT)

FIRE EXTINGUISHER HEAT  
ACTIVATED DISCHARGE USCG &  
FM APPROVED (OPT.)

SER. # AND I.D. PLATE

INCANDESCENT EXPLOSION  
PROOF FIXTURE 115V, 300 W, UL  
LISTED CLASS 1 GROUPS C & D,  
CLASS II GROUPS E, F & G

REMOVABLE  
ACCESS PANEL

LIGHT  
SWITCH

SERVICE  
FIXTURES  
RT. OR LFT.  
(OPT)  
DUPLEX  
RECEPT.  
RT. OR LFT.  
(OPT)

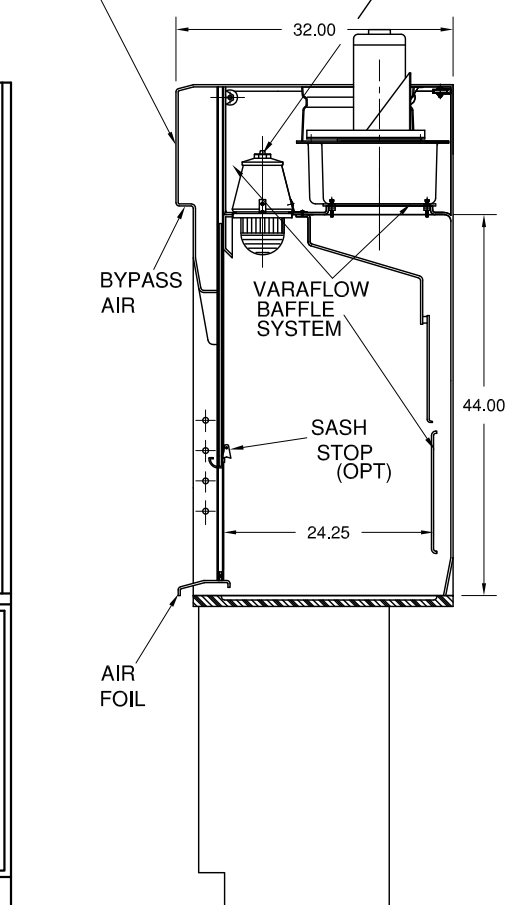
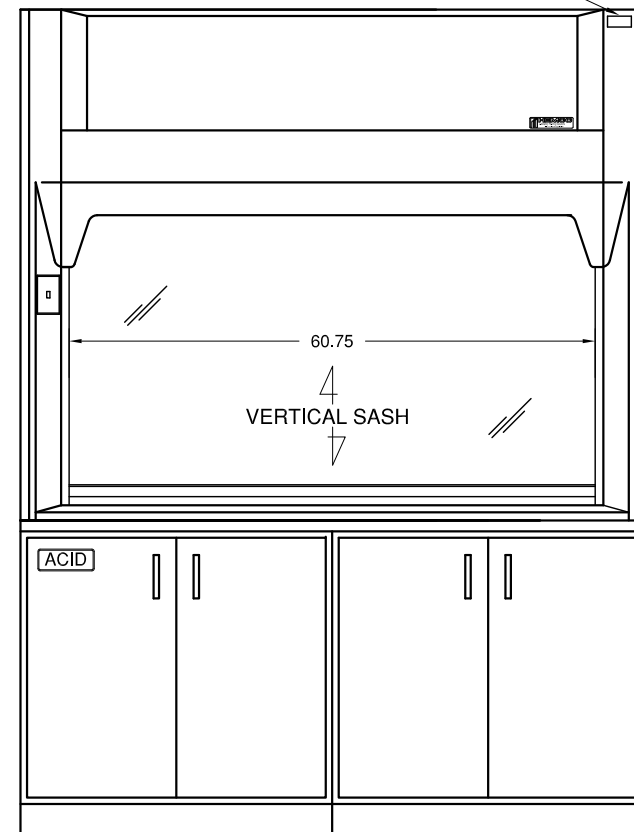
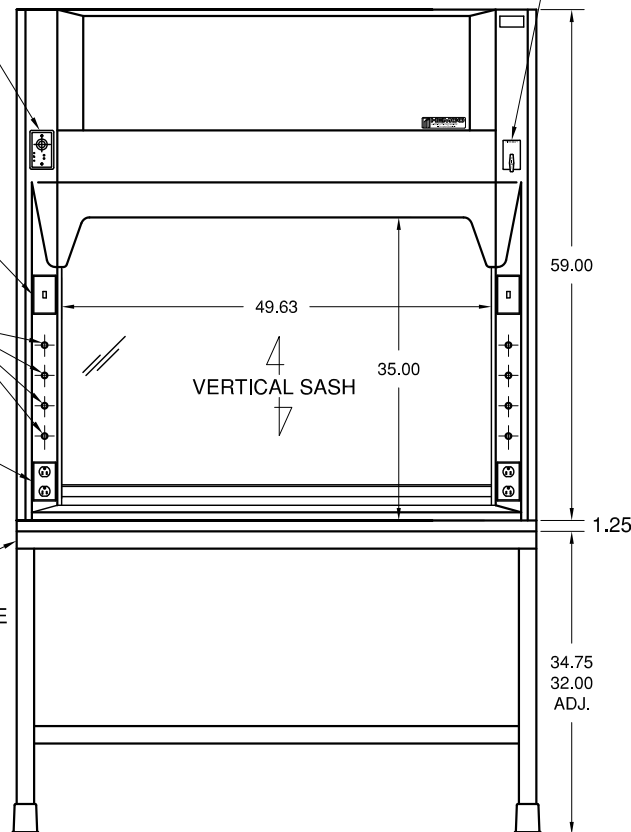
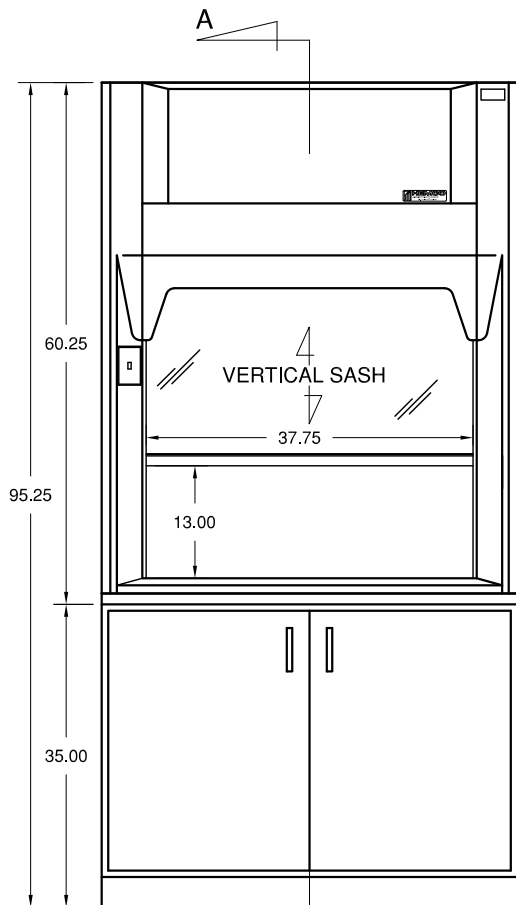
WORKSURFACE  
(OPT)

BYPASS  
AIR

VARAFLW  
BAFFLE  
SYSTEM

SASH  
STOP  
(OPT)

AIR  
FOIL



**CAT. NO. 45414**  
(WITH OPTIONAL BASE CABINET  
AND WORKSURFACE)

**CAT. NO. 45514**  
(WITH OPTIONAL TABLE AND  
WORKSURFACE)

**CAT. NO. 45614**  
(WITH OPTIONAL ACID/BASE  
CABINETS AND  
WORKSURFACE)

**SECTION A-A**

BYPASSFAM 45X14-SV

**OPTIONAL EQUIPMENT AND SERVICES**

1. PLUMBING SERVICE
2. EXP. ELECTRICAL SERVICES
3. EXHAUST SYSTEMS
4. FIRE EXTINGUISHER
5. AIR FLOW ALARM
6. HORIZONTAL SLIDING SASH
7. COMBINATION SASH

**NOTE:**  
ALL ELECTRICAL COMPONENTS  
UL AND CSA LISTED

**UNIFLOW SE LABORATORY FUME HOOD SERIES 45  
WITH EXP. PROOF LIGHT & BLOWER**

SCALE: 1" = 24"	APPROVED BY:	DATE:	REVISION:	DATE:
DRAWN BY: TLF	REP:	QUOTE No:		
DATE: 6/16/03	PROJECT MGR:	DATE:		
<b>HEMCO Corporation</b> www.HEMCOcorp.com 711 S. POWELL RD INDEPENDENCE, MO 64056 PH:816-796-2900 FAX:816-796-3333		© PLANS AND DRAWINGS ARE COPYRIGHTED		DWG. NO. M01-3259
				SHEET. 1 OF 1