

# UniFlow Perchloric Acid Fume Hoods

Perchloric Acid and Acid Digestion Hoods feature a stainless steel or PVC liner and a convenient washdown system for the safe handling of acids.



UniFlow Perchloric Acid Fume Hood #12601 with optional service fixtures, plumbing & electrical, and base cabinet HEMCO recommends all fume hoods be equipped with an airflow monitor

## UniFlow Perchloric Acid Bypass Design Features:

- Superstructure acid resistant composite construction with type 316 stainless steel fume chamber and baffle or PVC fume chamber and baffle.
- Dedicated wash down with integral piping, spray nozzles and remote control on right column.
- Aerodynamic face with ergonomic airfoil for superior airflow and user safety.
- Pre-wired 2 tube fluorescent light with switch, blower switch 115 volt, 60Hz, pre-wired to external junction box.

## UniFlow Perchloric Acid Laboratory Hoods

UniFlow Stainless Steel Perchloric Acid Bypass Hoods are designed specifically for Perchloric Acid use. Features seamless type 316 stainless steel fume chamber and baffle with 24" interior depth to baffle. Integral stainless steel reinforced work surface and drainage trough. Dedicated wash down and exhaust system is recommended to thoroughly wash down fume chamber and exhaust system after each use.

## UniFlow PVC Acid Digestion & Perchloric Acid Laboratory Fume Hoods

UniFlow PVC Perchloric Acid Bypass and Acid Digestion Hoods feature fume chamber and baffle constructed of type 1 PVC liner with 24" interior depth. Integral reinforced PVC work surface and drainage trough. Dedicated wash down and exhaust system recommended to thoroughly wash down fume chamber and exhaust system after each use. When using hydrofluoric acid, specify polycarbonate sash.

### COMPLETE YOUR FUME HOOD INSTALLATION

Refer to HEMCO's PLAN-A-HOOD on page 26 to assist in the planning of your UNIFLOW Fume Hoods.

#### OPTIONAL ACCESSORIES

**Ducting & Wash Down Systems**  
by others.

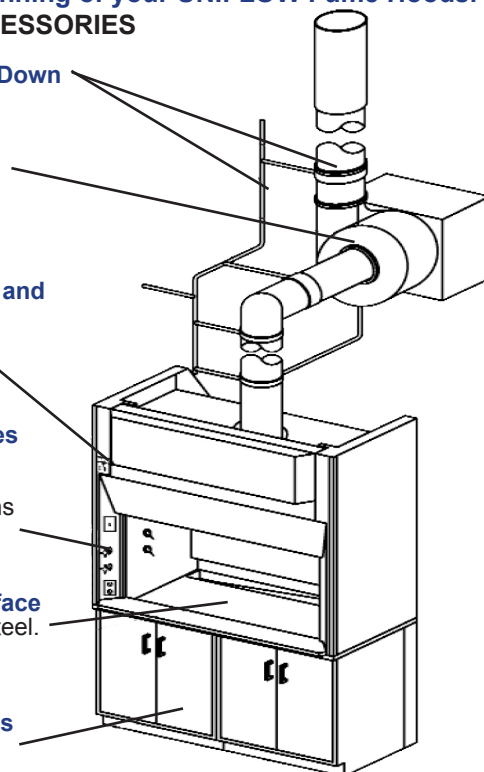
**Perchloric Acid Exhaust Blowers**  
see page 17

**Airflow Monitors and Sash Stop**  
see page 17

**Plumbing and Electrical Services**  
Factory installed according to your exact specifications see pages 27-28

**Integral worksurface**  
T-316 Stainless Steel.

**Base Cabinets and Worksurfaces**  
see pages 24-25



# UniFlow Perchloric Acid Fume Hoods

STAINLESS STEEL PERCHLORIC ACID HOOD SPECIFICATIONS		FUME HOOD WIDTH		
<b>1. Uniflow Stainless Steel Perchloric Acid Laboratory Fume Hoods</b> Seamless type 316 stainless steel fume chamber with integral work surface and drainage trough, all covered corners with baffle and exhaust collar. Hood has built-in wash down system with spray nozzles and piping to front mounted control valve. Picture frame sash opening with counter balanced clear tempered safety glass sash with chemical resistant PVC framing and track and aerodynamic sash lift. Vapor-proof light fixture and switch prewired to single point junction box, 115 volt, 60Hz AC, All electrical components UL Listed		48"	60"	72"
		Cat.No. 12401	Cat. No 12501	Cat.No. 12601
<b>PVC PERCHLORIC ACID / ACID DIGESTION HOOD SPECIFICATIONS</b>				
<b>2. Uniflow PVC Perchloric Acid Laboratory Fume Hoods</b> Seamless PVC fume chamber with integral work surface and drainage trough, all covered corners with baffle and exhaust collar. Hood has built-in wash down system with spray nozzles and piping to front mounted control valve. Picture frame sash opening with counter balanced clear tempered safety glass sash with chemical resistant PVC framing and track and aerodynamic sash lift. Vapor-proof light fixture and switch prewired to single point junction box, 115 volt, 60Hz AC, All electrical components UL Listed				
		Cat.No. 13401	Cat.No. 13501	Cat.No. 13601
<b>3. Uniflow PVC Acid Digestion Laboratory Fume Hoods</b> Same as #2 above, except with polycarbonate sash for use with hydrofluoric acid.				
		Cat.No. 13411	Cat.No. 13511	Cat.No. 13611
<b>PERCHLORIC ACID SUPPLY BLOWERS</b>				
4. Blowers are constructed of halar-coated steel, are belt driven, include TEFC motors and feature a spray wash nozzle and drain in the blower housing. The specifications to the right are based on 100 FPM face velocity.	1/2 HP Blower - 800 CFM @ 1" SP (for 48" hoods)	51395		
	1/2 HP Blower - 1000 @ 1" SP (for 60" hoods)		51396	
	3/4 HP Blower - 1200 CFM @ 1" SP (for 72" hoods)			51397
<b>5. Optional Stainless Steel Stack Outlet with Wash Down Nozzles</b>		Cat.No. 51398	Cat.No. 51398	Cat.No. 51399

FUME HOOD SIZES			
A	48"	60"	72"
B	37-3/4"	49-5/8"	60-3/4"
C	24"	30"	36"
D	10"	10"	12"

EXHAUST AIR VOLUME REQUIRED FOR 100 FPM WITH SASH FULLY OPEN		
48"	60"	72"
773 CFM	938 CFM	1162 CFM
100 FPM WITH SASH 50% OPEN		
385 CFM	474 CFM	592 CFM

**AIRFLOW MONITOR** Cat. No. 51406  
Continuously monitors face velocity air-flow of fume hood. Select and calibrate at desired FPM velocity set point. If the hood face velocity falls below the set point, an audible alarm sounds and a visual red indicator light appears. Airflow alarm is factory installed or can be field installed. 115 volt 60Hz



**SAFETY SASH STOP** Cat. No. 51651  
Factory installed to specified designated height. Also available for field installation.



## UNIFLOW PERCHLORIC ACID FUME HOODS

