

# Universal Fume Hood

The Universal Fume Hood is designed for light to medium duty fume removal, and offers such features as a sturdy dual wall construction, and a fully vertical sliding sash typically found on larger more expensive Fume Hoods.



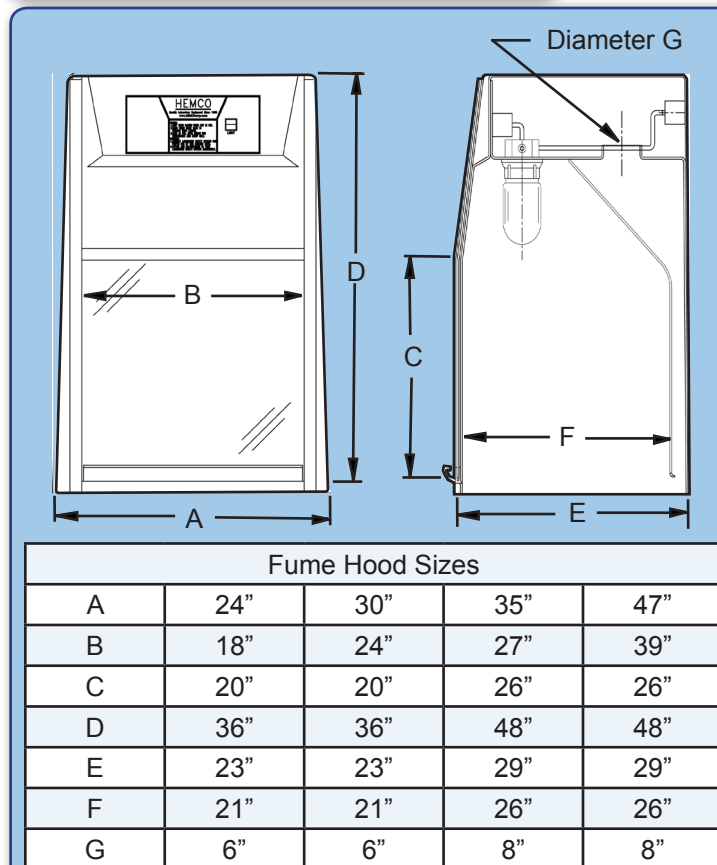
- Ideal for Laboratories with limited space, offered in 24", 30", 35", and 47" widths, the Universal is perfect for laboratories where space is limited or when multiple hoods are needed.

- Completely molded of fire retardant fiberglass

- Durable One-Piece Fiberglass Construction, Completely molded of durable chemical resistant and fire retardant fiberglass. The Hood interior features seamless, one piece construction with all covered corners for easy cleaning. Dual walls reduce sound and vibration. Varaflow baffle efficiently directs air through the fume chamber.

- Fully Adjustable Sliding Sash, the sash is made of 3/16" thick shatterproof Plexiglas and is fully adjustable to allow easy access into the fume chamber. "Easy-Touch" operation allows for precise positioning. Vapor proof incandescent lighting provides a bright, glare free work area.

- A full selection of accessories and components including work surfaces, base cabinets, plumbing and electrical services are available. Electrical components are installed but not wired and must comply to electrical codes.



Specifications	24"	30"	35"	47"
Universal Fume Hood with Vapor Proof Light- comes with switch and 8' 3 wire cord. All electrical services are U.L and C.S.A. approved. Shipped completely assembled.	92001	93001	90301	90401
Universal Fume Hood with vapor proof light and exhaust blower, same as above except equipped with built in 115V, 60Hz blower with polypro impeller wheel.	92002	93002	90302	90402
Universal Fume Hood with explosion proof light, same as above, except equipped with explosion proof light. (U.L. approved Class 1, Group D; Class II, Group E,F,and G.) Switch and wiring not included with hood, must be furnished by customer to comply with local codes.	92003	93003	90303	90403
Universal Fume Hood with explosion proof light and explosion proof Blower, same as above except equipped with built in explosion proof 115/230V, 60Hz blower with polypro impeller wheel (U.L. approved Class 1. Group D; Class II Group E,F, and G.	92004	93004	90304	90404
Accessories				
Vinylester Work Surface	92017	93017	94017	95017
Fume Hood Safety Panel, inserted under the sash to protect operator from hazards from within the fume chamber.	92015	93015	90315	90415

Visit [www.HEMCOcorp.com](http://www.HEMCOcorp.com)