

C - Frame Tables

C-Frame tables are designed and built to support lab instrumentation, small hoods, and workstation procedures and light weight laboratory equipment.

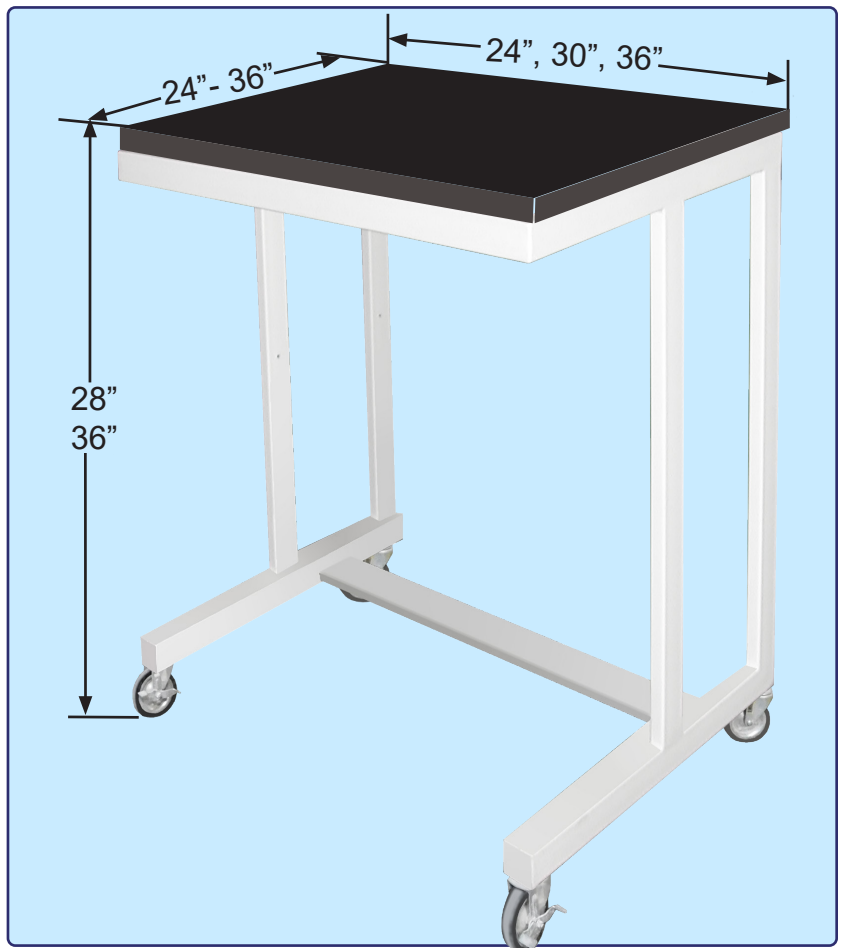


- Sizes from 30", 36" & 48" wide
- 30" and 36" standard heights, X 24" deep.
- The ergonomic c-frame design allows for convenient sitting with full knee space.
- Constructed of 1" X 2", 16 gauge rectangular tubing, with welded construction
- This table is offered in either a fixed or mobile model with locking (4) casters included.
- The countertop that is factory-installed, and is of chemical-resistant phenolic resin.
- Powder coated finish resists chemicals
Color: White

Specifications:

C-Frame table is designed to hold:

- MicroFlow I Workstations
- MicroFlow II Workstations
- MicroFlow II Workstations
- Demonstration Hoods
- VSE Vented Safety Enclosures
- Table Top Fume Hoods



Cat. No.	Width A	Height B
50303	36"	28" sitting
50303	36"	36" standing
50403	48"	28" sitting
50403	48"	36" standing

