

Bench Stands & Worksurfaces

Custom Sized Bench/Stands & Worksurfaces



- Work Benches are available in custom sizes to meet your project specifications
- Standard color: Lab White

Custom worksurface options include:

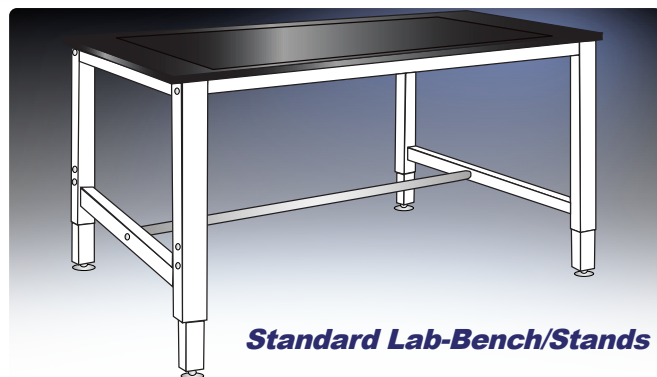
- 1" thick Epoxy resin,
- 1" Phenolic resin
- 1-1/2" thick Plastic laminate
- 1-1/4" thick ESD electrostatic dissipating laminate
- Aluminum or Stainless steel \ optical breadboard

Custom Bench / Stand options include:

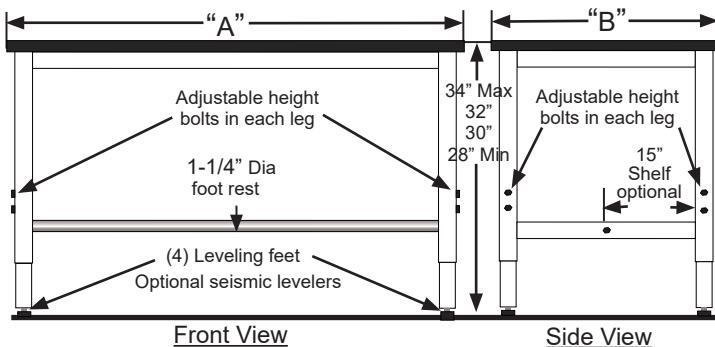
- Lower steel shelf for added storage
- Seismic levelers
- Std swivel locking casters (set of 4)
- Roll and set casters (set of 4)
- Available in ADA or sitting height
- Options include cabinets, bottom shelves

Standard Bench/Stands for Unitized Enclosures

- Available in 4', 5', 6' & 8' widths. Depths of 30" & 36".
- Tested to 2000 lb. load capacity.
- Adjustable telescoping 2" square steel legs adjust to 28", 30", 32" & 34" heights.
- Sturdy dual locking bolts on each leg.
- Height adjustable leveling legs on all four legs.
- Optional seismic levelers for legs.
- Standard color: Lab White



Standard Lab-Bench/Stands



Heavy Duty Lab-Bench/Stands		Optional Shelf	
Width "A"	Depth "B"		Depth
	27-1/2"	33-1/2"	15"
Cat. No.			
48"	54821	54822	54823
60"	56021	56022	56023
72"	57221	57222	57223
96"	59621	59622	59623

Worksurfaces Specifications

Material	Description:	Depth "B"	Width "A"			
			48"	60"	72"	96"
*Durcon Epoxy Resin	1" thick chemical, heat & abrasive resistant epoxy resin work surface, 30" & 36" depth. color: black	30"	20425	20525	20625	20825
		36"	20424	20524	20624	20824
Phenolic Resin	1" thick chemical, scratch & wear resistant phenolic resin work surface. 30" & 36" depth. color: black	30"	20427	20527	20627	20827
		36"	20426	20526	20626	20826
Plastic Laminate	1-1/2" thick, scratch & wear resistant plastic laminate work surface. 30" & 36" depth. color: gray	30"	20428	20528	20628	20828
		36"	20429	20529	20629	20829
ESD Laminate	1-1/4" thick, electrostatic dissipative ESD laminate work surface. 30" & 36" depth. color: gray	30"	20422	20522	20622	20822
		36"	20423	20523	20623	20823
Stainless Steel	1-1/4" thick, stainless steel work surface. 30" & 36" depth.	30"	20431	20531	20631	20831
		36"	20430	20530	20630	20830
Aluminum Optical Bread Board	25 mm thick, solid aluminum work surface. tapped & anodized, 30" & 36" depth. color: flat black	30"	20421	20521	20621	20821
		36"	20420	20520	20620	20820

