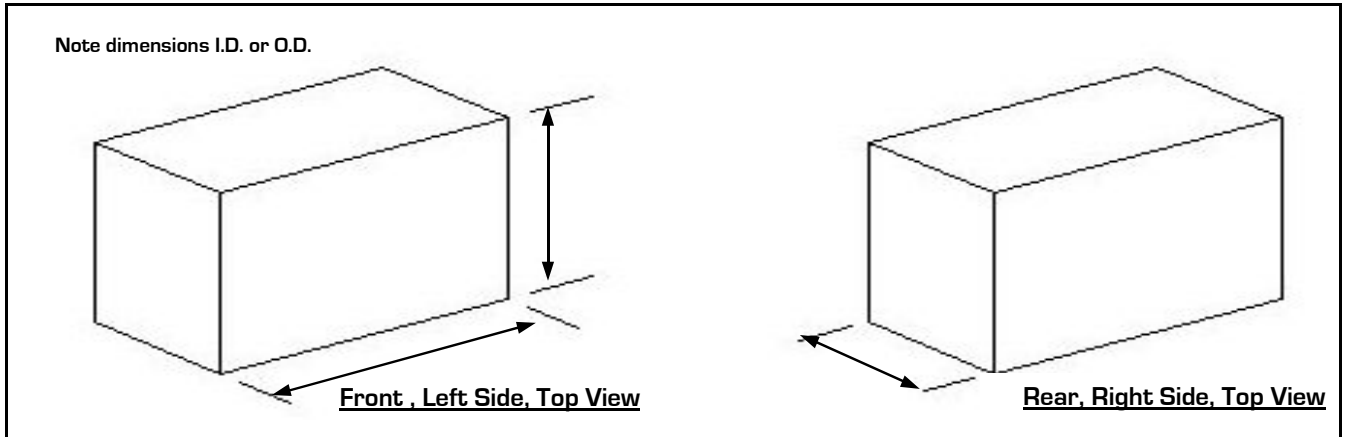


# HEMCO ENVIRONMAX Specification Sheet

CUSTOMER \_\_\_\_\_ BY: \_\_\_\_\_

PROJECT: \_\_\_\_\_ DATE: \_\_\_\_\_

Please note on the line drawings below dimensions, type of doors, door locations and service requirements. Please fax completed form to HEMCO at 1-816-796-3333.



## TYPE OF ENCLOSURES

### A. HAZARDOUS CONTAINMENT EXHAUST ENCLOSURE

1. Doors: Horizontal Slide \_\_\_\_\_ Vertical Slide \_\_\_\_\_ Hinge-Up \_\_\_\_\_ Hinge-Out \_\_\_\_\_  
Access: Front \_\_\_\_\_ Rear \_\_\_\_\_ Right \_\_\_\_\_ Left \_\_\_\_\_ All \_\_\_\_\_
2. Wall/Ceiling Panels: Glass \_\_\_\_\_ Acrylic \_\_\_\_\_ Phenolic \_\_\_\_\_
3. Lighting: Fluorescent \_\_\_\_\_ Explosion Proof \_\_\_\_\_ None \_\_\_\_\_  
Baffle: Yes \_\_\_\_\_ No \_\_\_\_\_ If Yes, Rear \_\_\_\_\_ Top \_\_\_\_\_
4. Exhaust Fan: Yes \_\_\_\_\_ No \_\_\_\_\_ If Yes, CFM \_\_\_\_\_ Or ACH \_\_\_\_\_
5. Filter: Yes \_\_\_\_\_ No \_\_\_\_\_ If Yes, HEPA \_\_\_\_\_ Carbon \_\_\_\_\_

### B. CLEAN WORKSTATION ENCLOSURE

1. Doors: Horizontal Slide \_\_\_\_\_ Hinge-UP \_\_\_\_\_  
Access: Front \_\_\_\_\_ Rear \_\_\_\_\_ Right \_\_\_\_\_ Left \_\_\_\_\_ All \_\_\_\_\_
2. Wall/Ceiling Panels: Glass \_\_\_\_\_ Acrylic \_\_\_\_\_ Phenolic \_\_\_\_\_
3. Lighting: Fluorescent \_\_\_\_\_ UV \_\_\_\_\_ None \_\_\_\_\_
4. Class: HEPA \_\_\_\_\_ Other \_\_\_\_\_

### C. ENVIRONMENTAL CONTROL ENCLOSURE

1. Doors: Hinge-Out \_\_\_\_\_ Other \_\_\_\_\_  
Access: Front \_\_\_\_\_ Rear \_\_\_\_\_ Right \_\_\_\_\_ Left \_\_\_\_\_ All \_\_\_\_\_
2. Wall/Ceiling Panels: Acrylic \_\_\_\_\_ Phenolic \_\_\_\_\_
3. Lighting: Fluorescent \_\_\_\_\_ UV \_\_\_\_\_ None \_\_\_\_\_
4. Temperature: \_\_\_\_\_ F \_\_\_\_\_ C + \_\_\_\_\_ Amb. \_\_\_\_\_
5. Humidity: \_\_\_\_\_ % + \_\_\_\_\_ Amb. \_\_\_\_\_
6. Heat Load: \_\_\_\_\_

Note: Does this enclosure need to ship knockdown to allow passage clearance through doorways, corridors, elevators, etc. Yes \_\_\_\_\_ No \_\_\_\_\_ If yes, please provide dimensions of door etc.

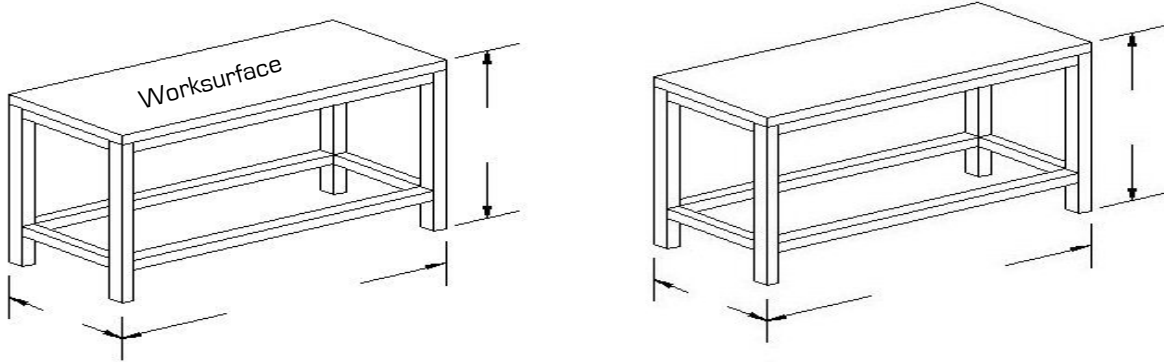
# HEMCO Enclosure Support Tables, Benches & Cabinets Specification Sheet

Customer \_\_\_\_\_ By \_\_\_\_\_

Project \_\_\_\_\_ Date \_\_\_\_\_

Please note the dimensions, type of doors, door locations and service requirements on the drawings below.  
Please fax completed form to HEMCO at (816) 796-3333.

Note dimension I.D. or O.D.



## SUPPORT TABLE/CABINET

Open Leg Table \_\_\_\_\_ Enclosed Cabinet \_\_\_\_\_ Shelf: Yes \_\_\_ No \_\_\_\_\_

If enclosed cabinet: Hinged doors \_\_\_\_\_ Slide doors \_\_\_\_\_ Front \_\_\_ Rear \_\_\_\_\_

Right: \_\_\_\_\_ Left \_\_\_\_\_ All \_\_\_\_\_

Mobile: Yes \_\_\_ No \_\_\_ Weight Load \_\_\_\_\_ Vibration Concern \_\_\_\_\_

## WORKSURFACE

Phenolic resin \_\_\_\_\_ Plastic Laminate \_\_\_\_\_ Stainless Steel \_\_\_\_\_

Dimensions: \_\_\_\_\_ " wide by \_\_\_\_\_ " deep by \_\_\_\_\_ " thick

Sink: Yes \_\_\_\_\_ No \_\_\_\_\_ If yes, size: \_\_\_\_\_ by \_\_\_\_\_ by \_\_\_\_\_

## ELECTRICAL/PLUMBING

Plug Strip \_\_\_\_\_ Pedestal Box \_\_\_\_\_ Number of Plug-ins \_\_\_\_\_ Voltage \_\_\_\_\_

Location \_\_\_\_\_

Cord/cable access 2" diameter Ports—Quantity \_\_\_\_\_ Location \_\_\_\_\_

Keycock: Yes \_\_\_\_\_ No \_\_\_\_\_ Type of liquid or gas Service \_\_\_\_\_

NOTE: Does this table need to ship knocked down to allow passage clearance through doorways, corridors, elevators, etc.? Yes \_\_\_\_\_ No \_\_\_\_\_ If yes, please specify dimensions of doorways, etc. \_\_\_\_\_