

Clean Aire II Ductless Fume Hoods

Clean Aire II Fume Hoods are a Class 1 ductless hood workstation. Activated Carbon filtration for fumes, odors, non-hazardous chemical vapors.

- Self contained hood unit, ideal for laboratories that require multiple locations or where space limitations exist.
- Completely molded of fire retardant fiberglass
- Equipped with integral exhaust blower and carbon filter.
- Small quantities of solvents, acids, and annoying odors are absorbed into the carbon filter, that recirculates air back into the room thus avoiding the need for installation and lowering energy costs.
- Does not require duct or venting to the outside
- Can be ducted if necessary to meet venting requirements.
- Shipped completely assembled and equipped, ready for operation.



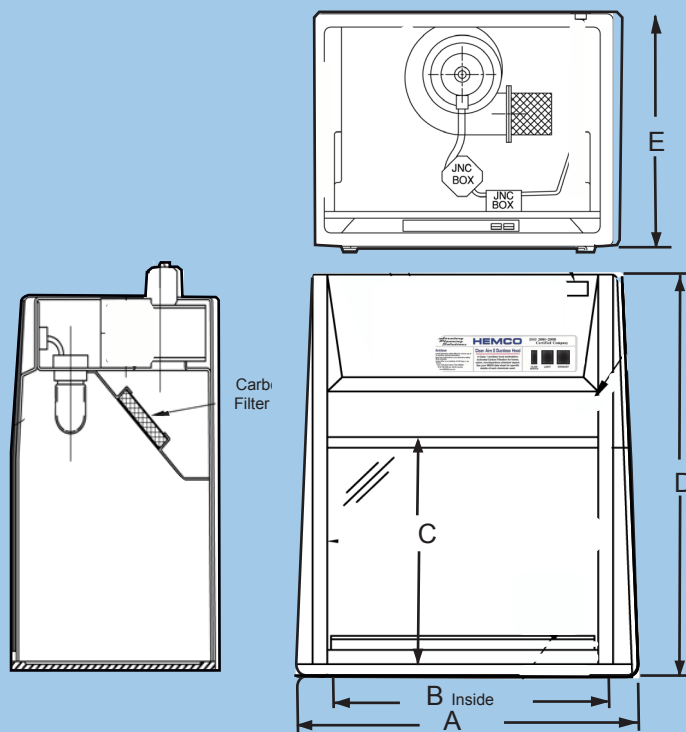
Clean Aire II

Clean Aire II Ductless Fume Hoods

Size	24"	30"	35"	47"
Hood Cat. No.	92005	93005	90305	90405
Vinylester Cat. No.	92017	93017	90317	90417
Replacement Filter Cat. No.	52004 (1) required	52004 (1) required	52004 (2) required	52004 (2) required

Clean Aire II

Dimension	24"	30"	35"	47"
Width "A"	24"	30"	35"	47"
Width "B"	18"	24"	27"	39"
Sash Height "C"	20"	20"	26"	26"
Height "D"	36"	36"	48"	48"
Depth "E"	23"	23"	29"	29"
Blower CFM	274	274	537	537



Visit www.HEMCOcorp.com