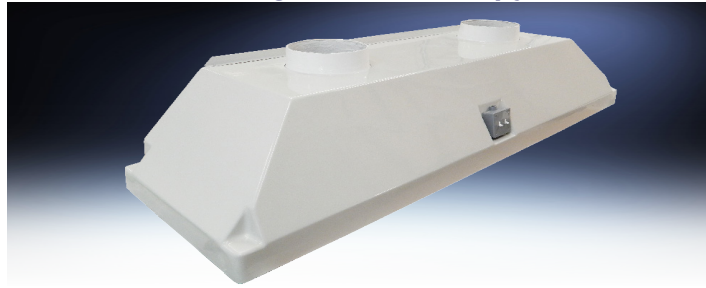


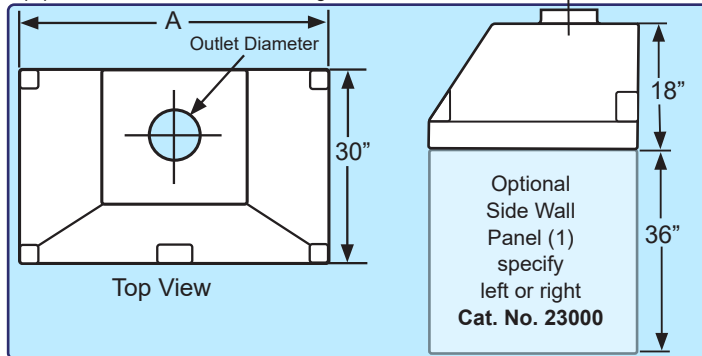
Canopy Hoods in Fiberglass or Stainless Steel

Canopy hoods are designed to collect and exhaust corrosive vapors, heat, steam, and odors when mounted over areas with water baths, hot plates, or portable equipment.

Fiberglass Wall Canopy



Fiberglass Canopy hoods are designed to collect and exhaust corrosive vapors, heat, steam, and odors when mounted over areas with water baths, hot plates, or portable equipment. Standard color: Silver Beige



Side Wall Panels (fiberglass or stainless steel) kit includes one wall panel and hardware
Cat. No. 23000

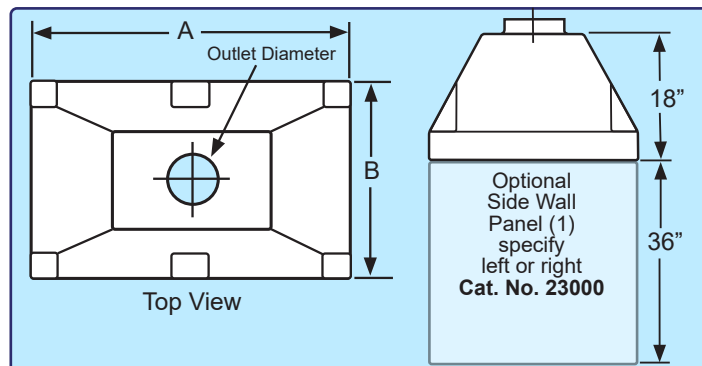
Vapor Proof Light & Switch **Cat. No. 50035**

Rear Wall Panel (consult factory for details)

Blower Switch 115V/15A
Cat. No. 50028

| Width A | 36" | 48" | 72" | 96" | Side Wall Panels |
|-----------------------------------|--------------|--------------|--------------|----------------|------------------|
| Fiberglass Cat. No. | 13030 | 13040 | 13060 | 13080 | 23000 |
| Fiberglass Rear Wall Panel | 23016 | 23026 | 23036 | 23046 | -- |
| Diameter D | 6" | 8" | 10" | (2) 10" | -- |

Fiberglass Island Canopy



Suspended Island Canopy Hood Mounting Kit Includes all components to secure to ceiling including 6' long threaded rods.
Cat. No. 23001

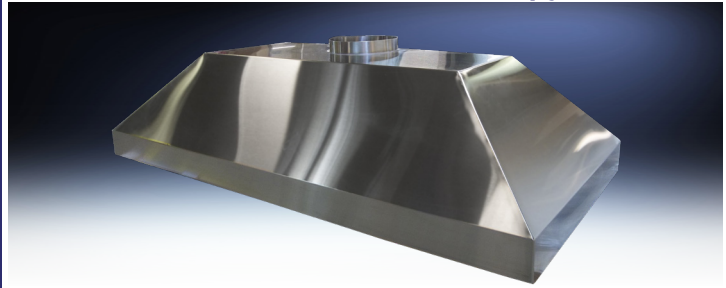
Vapor Proof Light & Switch **Cat. No. 50035**

Side Wall Panels (fiberglass or stainless steel) kit includes one wall panel and hardware **Cat. No. 23000**

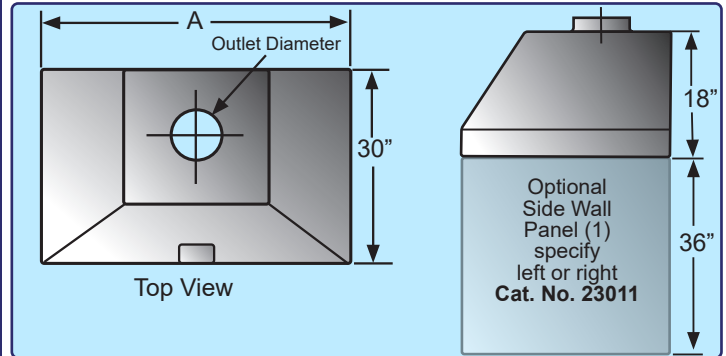
Rear Wall Panel (consult chart for Cat.No.)

| Width A | 36" | 48" | 72" | 96" | Side Wall Panels |
|-----------------------------------|--------------|--------------|--------------|----------------|------------------|
| Fiberglass Cat. No. | 23030 | 23040 | 23060 | 23080 | 23000 |
| Fiberglass Rear Wall Panel | 23016 | 23026 | 23036 | 23046 | -- |
| Diameter D | 6" | 8" | 10" | (2) 10" | -- |

Stainless Steel Wall Canopy



Stainless Steel Canopy hoods are constructed of type 304 stainless steel and designed to exhaust heat, steam when mounted over water baths, hot plates, or portable equipment. In sizes 36", 48", 72", 96" wide.



Side Wall Panels (fiberglass or stainless steel) kit includes one wall panel and hardware
Cat. No. 23011

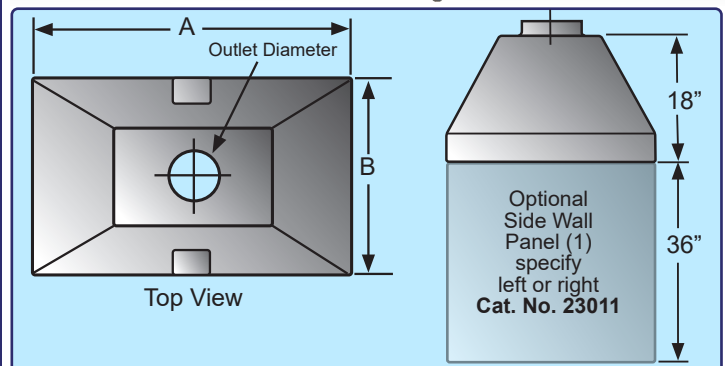
Vapor Proof Light & Switch **Cat. No. 50035**

Rear Wall Panel (consult factory for details)

Blower Switch 115V/15A
Cat. No. 50028

| Width A | 36" | 48" | 72" | 96" | Side Wall Panels |
|--|--------------|--------------|--------------|----------------|------------------|
| Stainless Steel Cat No. | 13130 | 13140 | 13160 | 13180 | 23011 |
| Stainless Steel Rear Wall Panel | 23116 | 23126 | 23136 | 23146 | --- |
| Diameter D | 6" | 8" | 10" | (2) 10" | --- |

Stainless Steel Island Canopy



Suspended Island Canopy Hood Mounting Kit Includes all components to secure to ceiling including 6' long threaded rods.
Cat. No. 23001

Vapor Proof Light & Switch **Cat. No. 50035**

Side Wall Panels (fiberglass or stainless steel) kit includes one wall panel and hardware **Cat. No. 23011**

Blower Switch 115V/15A (blower not included) **Cat. No. 50027-2**

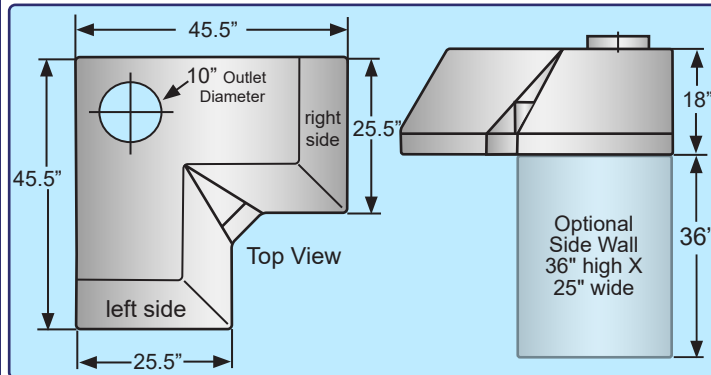
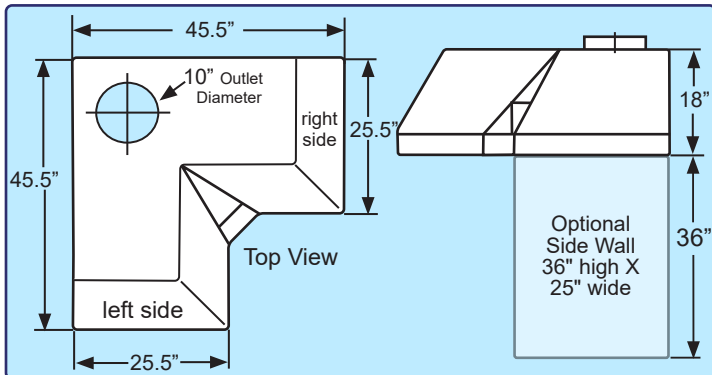
| Width A | 36" | 48" | 72" | 96" | Side Wall Panels |
|--|--------------|--------------|--------------|----------------|------------------|
| Stainless Steel Cat No. | 23130 | 23140 | 23160 | 23180 | 23011 |
| Stainless Steel Rear Wall Panel | 23116 | 23126 | 23136 | 23146 | --- |
| Diameter D | 6" | 8" | 10" | (2) 10" | --- |

Canopy Hoods in Fiberglass or Stainless Steel

Canopy hoods can be used for storage of chemicals, freeing up space in fume hoods.

Corner Canopy (Fiberglass)

Corner Canopy (Stainless Steel)



Corner Canopy Hood & Wall Mounting Kit
Includes all components to secure the canopy hood to a wall. **Cat. No. 13000**

Corner Composite Resin Worksurface
Comes dished to contain spillage. **Cat. No. 13503**

Corner Table Features welded steel construction **Cat. No. 13502**

Rear Wall Panel (2) required
Qty (1) 36" high X 45" wide **Cat. No. 23056**

Side Wall Panels (fiberglass) 36" h X 25" w, kit includes one wall panel and hardware **Cat. No. 23006**

Blower Switch 115V/15A **Cat. No. 50028**

Corner Canopy Hood & Wall Mounting Kit
Includes all components to secure the canopy hood to a wall. **Cat. No. 13000**

Corner Composite Resin Worksurface
Comes dished to contain spillage. **Cat. No. 13503**

Corner Table Features welded steel construction **Cat. No. 13502**

Side Wall Panels (stainless steel) 36" h X 25" w, kit includes one wall panel and hardware **Cat. No. 23004**

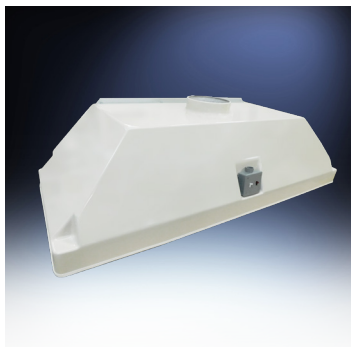
Blower Switch 115V/15A **Cat. No. 50027-2**

Custom Fiberglass Canopy Hoods

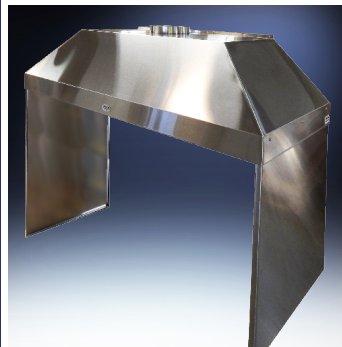
Custom Stainless Steel Canopy Hoods



Canopy with (2) side walls, for access from both sides.



Canopy with wall mounting brackets.



Canopy with (2) side walls, for access from both sides.



Canopy with rear and side walls, work surface, and adjustable table.



Corner Canopy with light, side walls and corner table unit.



Island Canopy with ducting and work table.



Canopy with Plexiglas sides, and hinged access panels.



48" wall canopy, with light switch.

HEMCO Corporation
711 S. Powell Road
Independence, MO 64056

HEMCO
Lab Planning Solutions

Email info@HEMCOcorp.com
Phone (816)796-2900
CANH-09.25

